



16300-00

Transfer Pump

PARTS LIST

Includes:

16300-00
AIR MOTOR

16300-00
FLUID SECTION

17666-01
TRANSFER KIT SET-UP

17666-01
TRANSFER KIT

17666-02
TRANSFER KIT

An ISO 9001
Approved
Company



Specialized Dispensing
Equipment and Technology

CE CERTIFIED

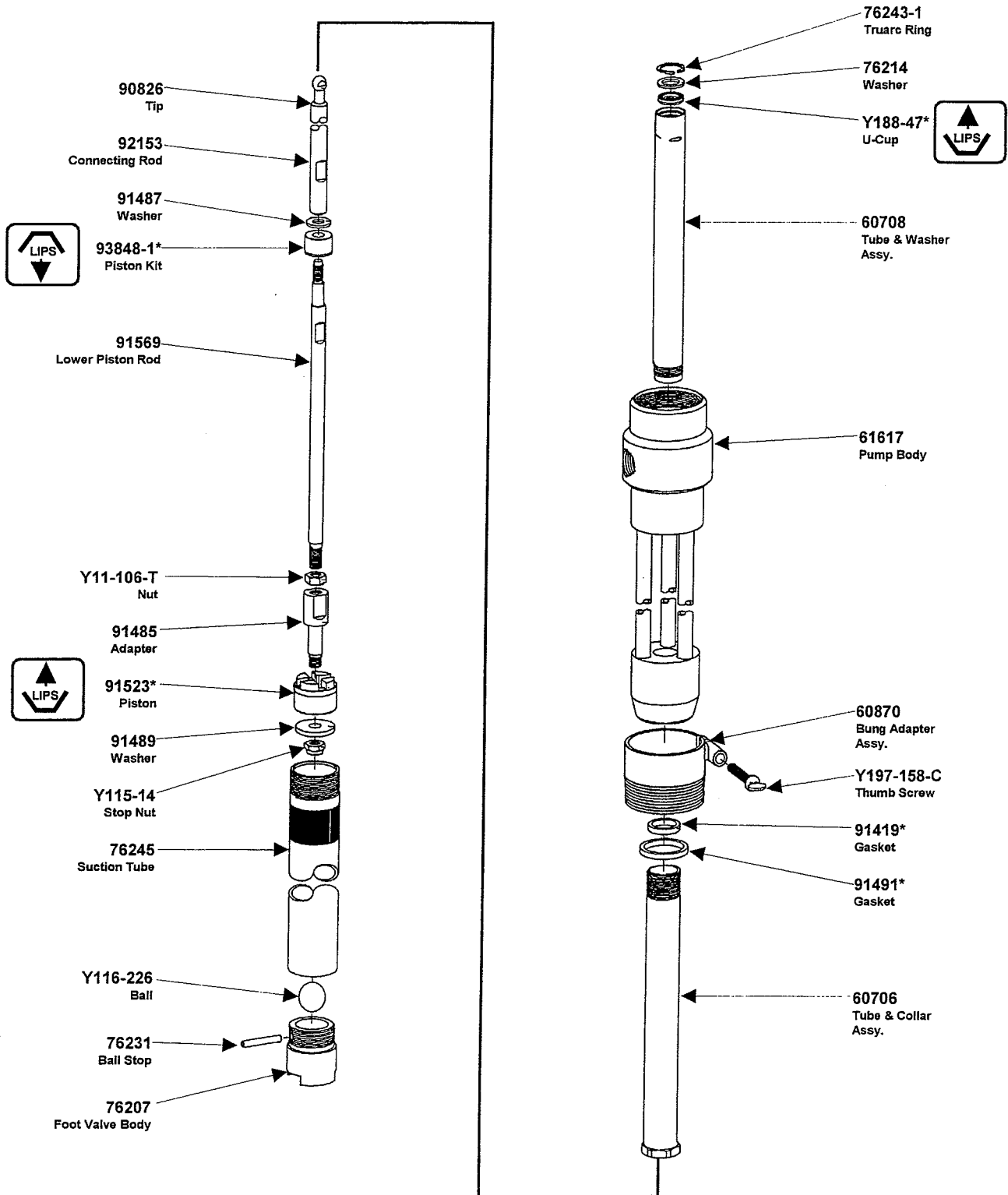
Glas-Craft, Inc.

5845 WEST 82nd STREET, SUITE 102
INDIANAPOLIS, INDIANA 46278 U.S.A.

Phone (317) 875-5592
Fax (317) 875-5456
E-Mail gcisales@glascraft.com
Web www.glascraft.com



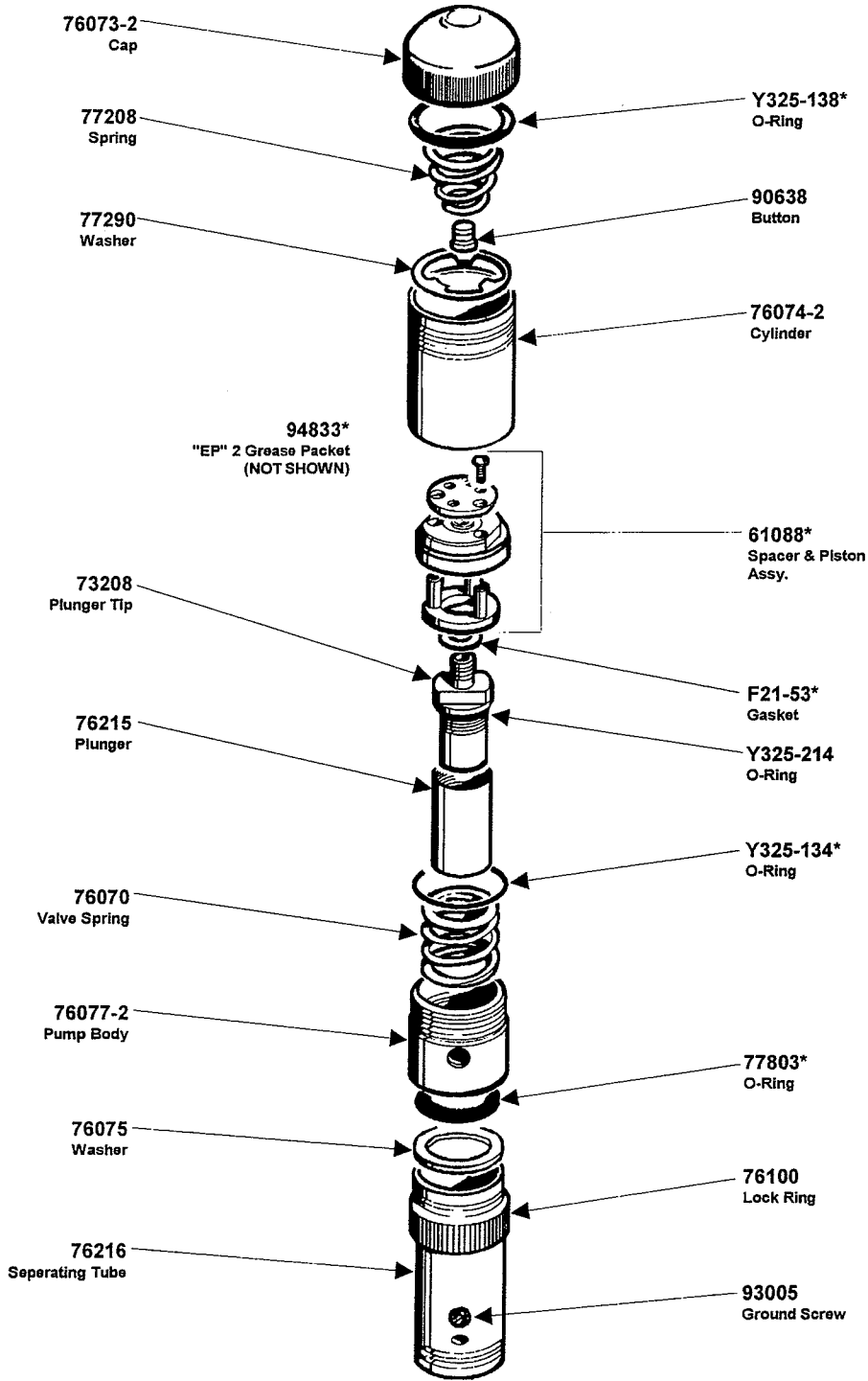
16300-00 FLUID SECTION



REPAIR KIT: 22071-00

(*) Indicates parts included in Repair Kit

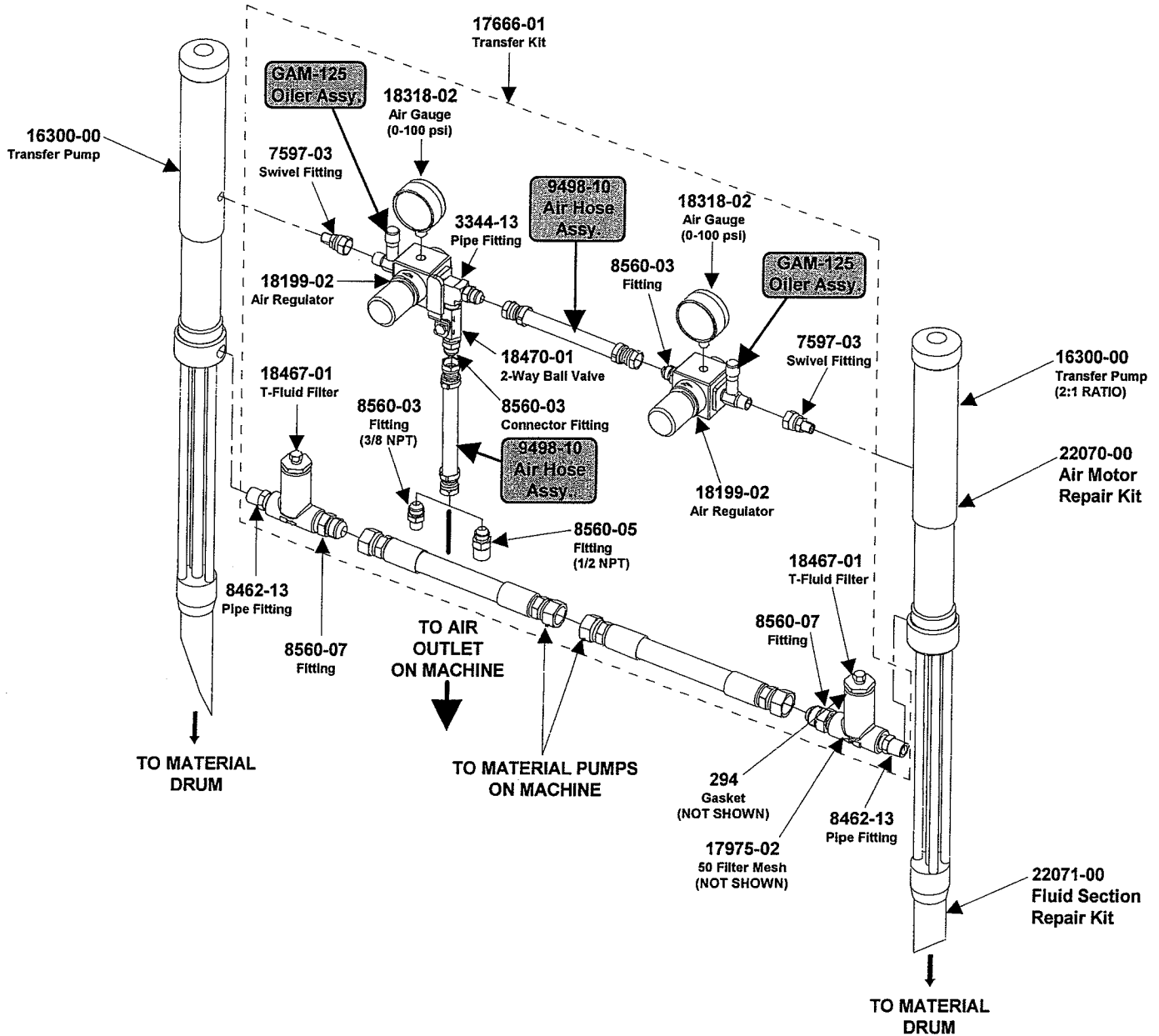
16300-00 AIR MOTOR



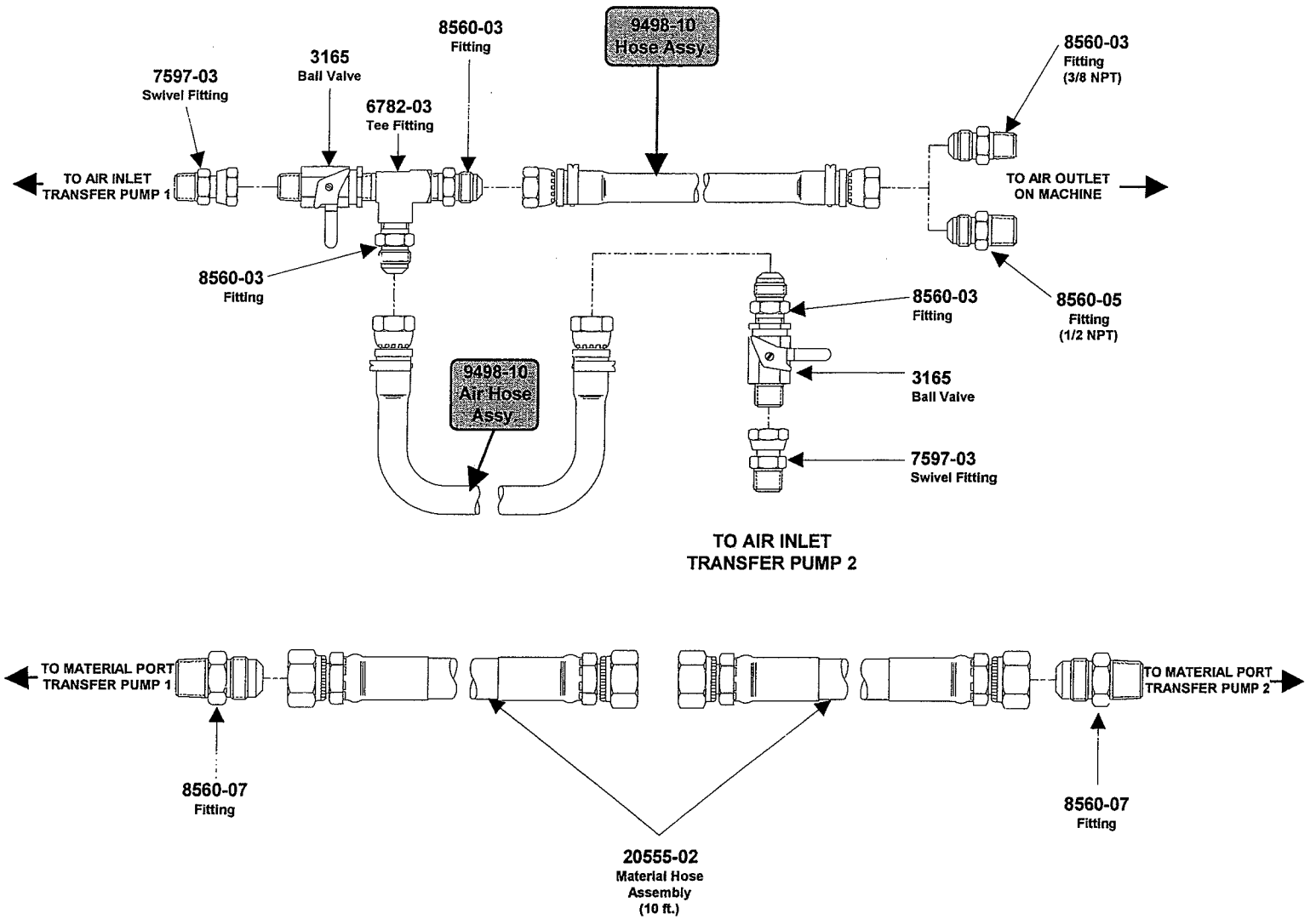
REPAIR KIT: 22070-00

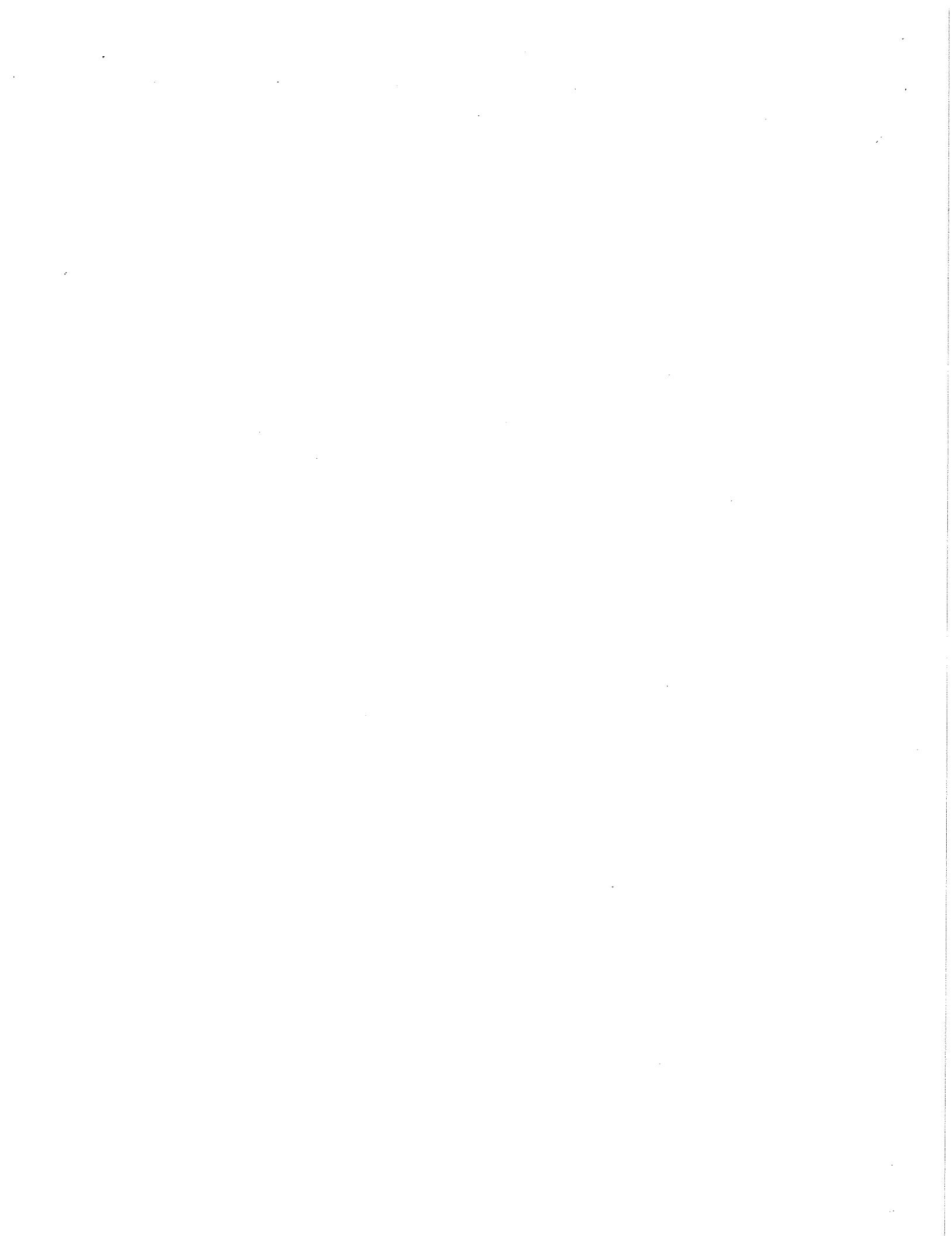
(*) Indicates parts included in Repair Kit.

17666-01 TRANSFER KIT SET-UP



17666-02 TRANSFER KIT





FOR YOUR REFERENCE

DATE PURCHASED _____

DISTRIBUTOR _____

CONTACT _____

PHONE _____

Manufacturers of ...

*Fixed and Variable Ratio Systems and Equipment for Polyurethane and Hybrid Materials Spray,
Pour and Injection*

Micro II, Maxi II, Super Maxi, Mini III, MX, MX II, MH & MH II

SYSTEMS and EQUIPMENT for...

- *SPRAY, POUR & INJECT*
- *FIXED & VARIABLE RATIO SYSTEMS*
- *EQUIPMENT FOR POLYURETHANE FOAMS,
COATINGS and POLYUREAS*

...featuring the patented Probler Spray/Pour Gun

LPA Series

*"Low Pressure, AIR ASSIST CONTAINMENT, Airless
External-Mix"*

*Gel-Coat, Wet-Out, & Chopper
Systems and Equipment*

INDy Series

*"Internal-Mix Non-Atomized Dispense Systems"
...featuring INDy Nozzle*

*Wet-Out, Chopper & Pressure Fed Roller
Systems and Equipment*

For more information concerning any of these Glas-Craft products,
contact your local authorized Glas-Craft distributor, or

Glas-Craft, Inc.

5845 WEST 82nd STREET, SUITE 102

PHONE (317) 875-5592

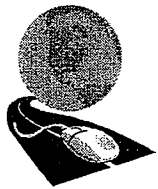
E-Mail gcisales@glascraft.com

INDIANAPOLIS, INDIANA 46278 U.S.A.

FAX (317) 875-5456

Web Site www.glascraft.com

Quality and Performance...
GENUINE GLAS-CRAFT



www.glascraft.com

GC-1039

5845 WEST 82nd STREET
INDIANAPOLIS, INDIANA 46278 U.S.A.

Phone (317) 875-5592
Fax (317) 875-5456
E-Mail gcisales@glascraft.com

REVISED JUNE 2004