

4/2010, Adding a phase control to the Glas-Craft Guardian A-6 6000 spray machine.

The Graco instructions at this time only consist of a simple schematic and a poor picture. The picture that I have included here is an A-5 6000 and may differ slightly but is the same basic machine.

This is a pretty simple installation and will require some wire, a couple screws and the needed connectors as no hardware is included.

Remove front cover shroud of machine.

A) Mount the Crydom proportional controller, using appropriate screws, in this area where suitable. Use caution when drilling into the heater shroud not to hit the heater or wiring that is on the other side.

B) Drill an appropriate size hole next to or below the main power button in the face plate. Solder 2 wires, of the proper length to reach the Crydom proportional controller, onto the potentiometer and mount it to the face plate.

C) Cut the H-1 wire that goes from the Amp meter to the bottom of the transformer at the appropriate spot so both ends reach the Crydom proportional controller, install wire ends and hook to # 1 & 2 terminals. Hook potentiometer wires to # 3 & 4 terminals.

D) Move tap setting to the 30 volt terminal (for 50' main hose + 10' whip). Turn the potentiometer all the way down for initial start up. Make sure all of the hose heat connections for the main hose and whip are connected and secure. Using an amp meter, turn the hose heat on and measure the amperage draw to the hose, adjust the potentiometer so the hose is drawing 50 amps, 55 amps **maximum**.

NOTE: The amperage draw will drop as the hose heats up so this initial setting must be done on a cold hose.

Do a "ramp up test", (how long it takes the hose to reach the set temp). If you are reaching the set temp of 170 degrees in 30 to 60 minutes, drawing 55 amps or less, then you should be OK. Tighten the lock nut on the potentiometer.

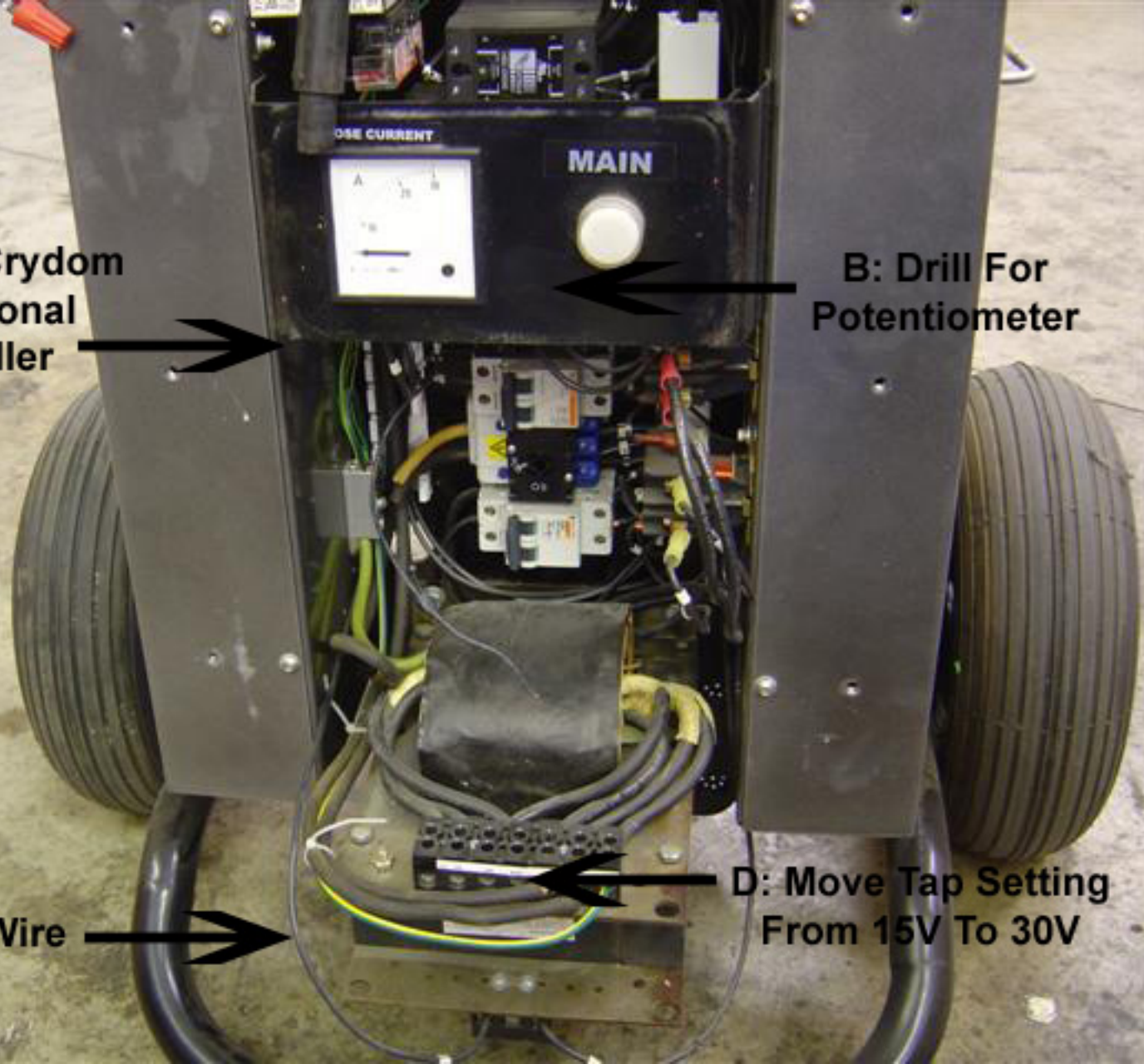
Give me a call if you have any questions. 877-678-8726 ext 2
Regards, John Powers

**A: Mount Crydom
Proportional
Controller**

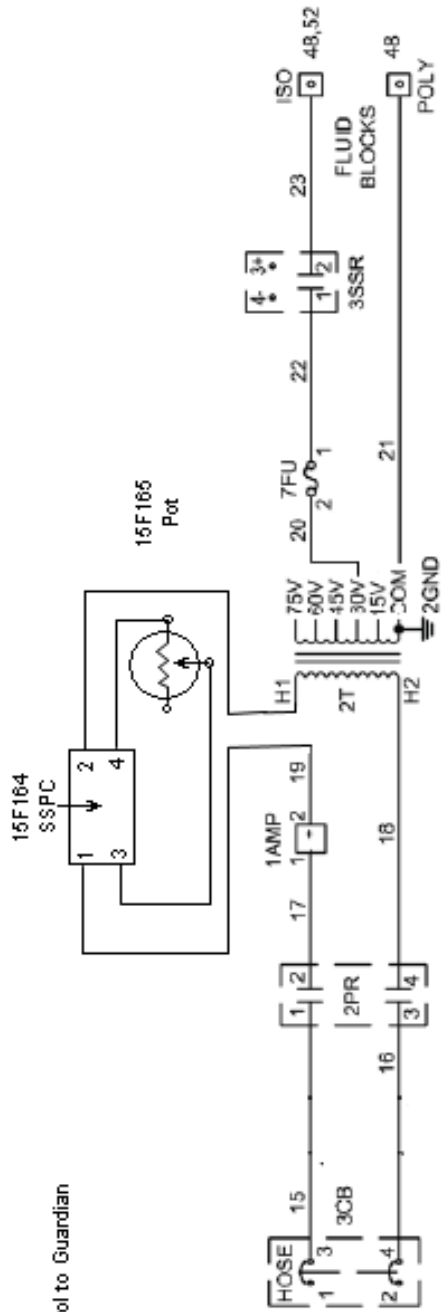
**B: Drill For
Potentiometer**

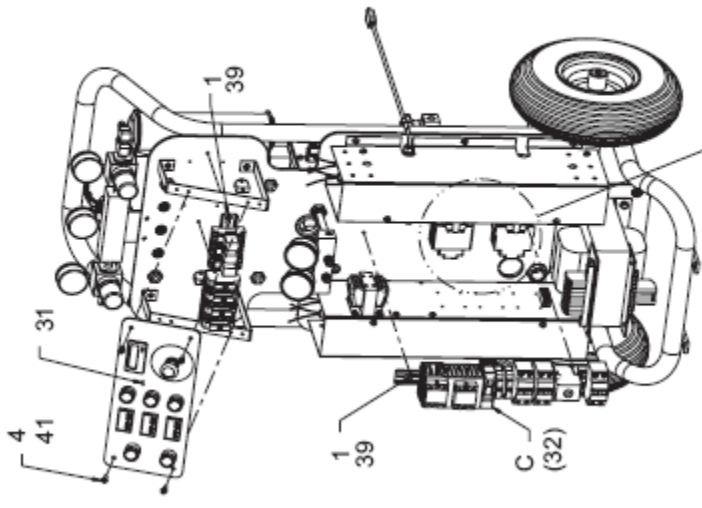
C: Cut H-1 Wire

**D: Move Tap Setting
From 15V To 30V**



Adding a phase control to Guardian

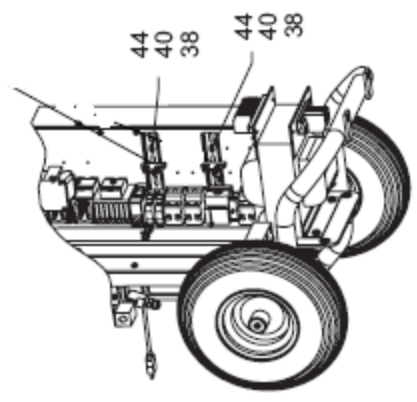




Some parts have been removed for clarity

See Detail A

Add SSPC here



Some parts have been removed for clarity

Detail A