

FUSION™

309550K

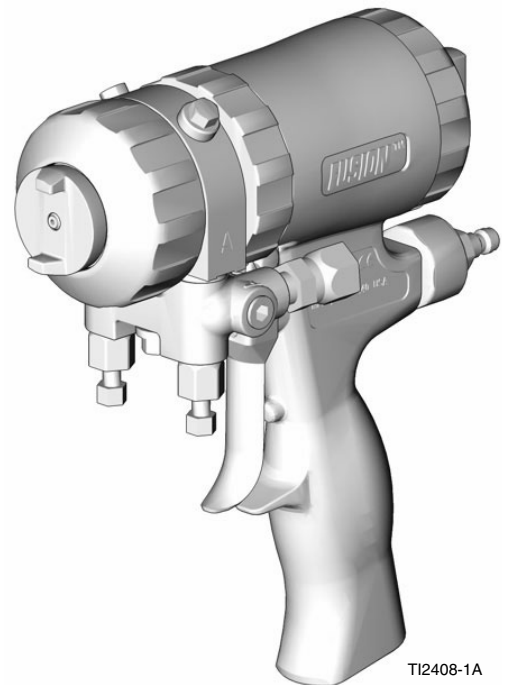
Plural Component, Impingement Mix Air Purge Spray Gun

**For use with non-flammable foam and polyurea.
Not for use in explosive atmospheres.**

3500 psi (24.5 MPa, 245 bar) Maximum Fluid Working Pressure

80-130 psi (0.56-0.9 MPa, 5.6-9.0 bar) Air Inlet Pressure Range

200° F (94° C) Maximum Fluid Temperature



T12408-1A

US Patent Number D479,305
Korean Patent 338185
Australian Patent Number 152610




PROVEN QUALITY. LEADING TECHNOLOGY.

Contents

Manual Conventions	2	Lubrication	26
List of Models/Mix Chamber Selection Guide	3	Remove Front End	26
Overall View	8	Attach Front End	27
Isocyanate Hazard	9	Mix Chamber and Side Seal Cartridges	28
Keep A and B Components Separate	9	Check Valves	30
Grounding	9	Piston	31
Piston Safety Lock	9	Piston Safety Lock	32
Turning Air Cap	10	Air Valve	32
Loss of Air Pressure	10	Parts	34
Setup	11	Drill Bit Kits	38
Shutdown	13	Air Purge Handle Cleanout Drill Kit	39
Pressure Relief Procedure	14	Accessories	40
Optional Configurations	15	Special Mix Chamber Kits	40
Optional Fluid Manifold Position	15	Wide Pattern Mix Chamber Kits	40
Optional Hose Position*	16	Extension Tip Kits	41
Flat Spray Tips	17	Extension Tip Seal Kits	41
Maintenance	18	Extension Tip Air Cap Kit	41
Supplied Tool Kit	18	Hose Adapter Kits	41
Keep Gun Clean	18	Spatter Conversion Kit	41
As Needed	18	Pour Nozzle Kit	42
Daily	18	Gun Cover	42
Weekly to Monthly	18	Lubricant for Gun Rebuild	42
Flush Gun	19	Grease Cartridge for Gun Shutdown	42
Clean Outside of Gun	19	Flushing Manifold	42
Clean Air Cap	19	Solvent Flush Canister Kit	42
Clean Muffler	19	Solvent Flush Pail Kit	42
Clean Fluid Manifold	19	Tip Cleanout Tool	43
Clean Mix Chamber Nozzle	20	Circulation Manifold	43
Clean Passages	20	Technical Data	44
Clean Impingement Ports	20	Graco Standard Warranty	46
Troubleshooting	22	Graco Information	46
Repair	26		
Tools Required	26		

Manual Conventions


Warning

 WARNING
 
<p>A warning alerts you to possible serious injury or death if you do not follow instructions.</p> <p>Symbols, such as fluid injection (shown), alert you to a specific hazard and direct you to read the indicated hazard warnings on pages 6-7.</p>

Caution

CAUTION
<p>A caution alerts you to possible equipment damage or destruction if you do not follow instructions.</p>

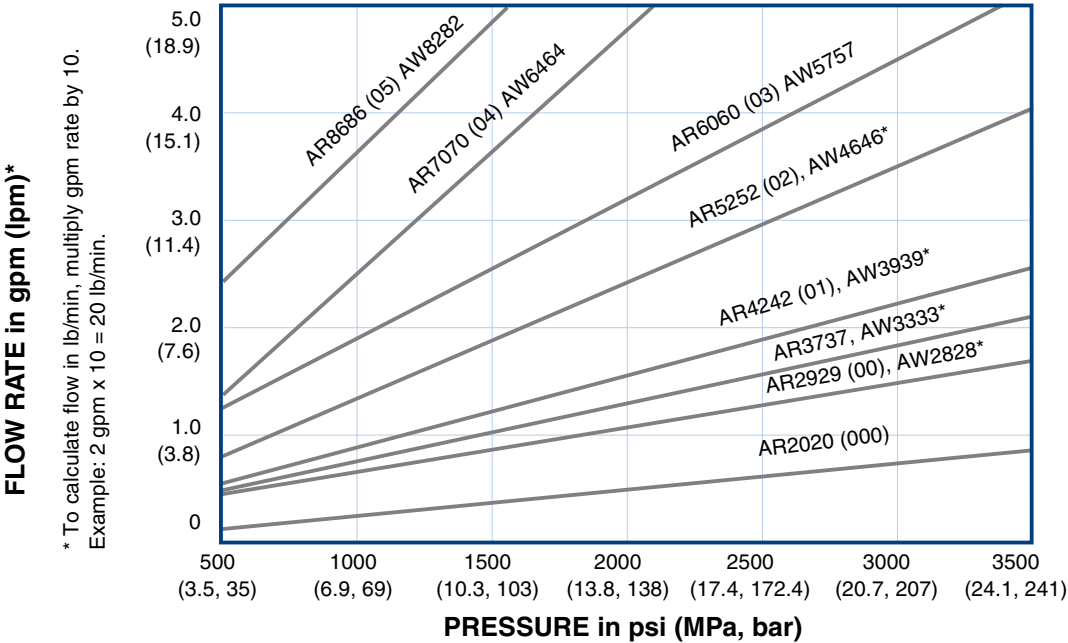
Note

 A note indicates additional helpful information.

List of Models/Mix Chamber Selection Guide

Round Pattern Guns

Gun Part No., Series	Mix Chamber		
	Part No.	Impingement Port Size in (mm)	Equivalent Size
246099, A	AR2020	.020 (0.50)	-000
246100, A	AR2929	.029 (0.70)	-00
248617, A	AR3737	.037 (0.94)	None
246101, A	AR4242	.042 (1.00)	-01
246102, A	AR5252	.052 (1.30)	-02
246103, A	AR6060	.060 (1.50)	-03
246104, A	AR7070	.070 (1.75)	-04
246105, A	AR8686	.086 (2.15)	-05



* To calculate flow in lb/min, multiply gpm rate by 10.
 Example: 2 gpm x 10 = 20 lb/min.

*Accessory AW (wide pattern) mix chambers are available. See page 40.

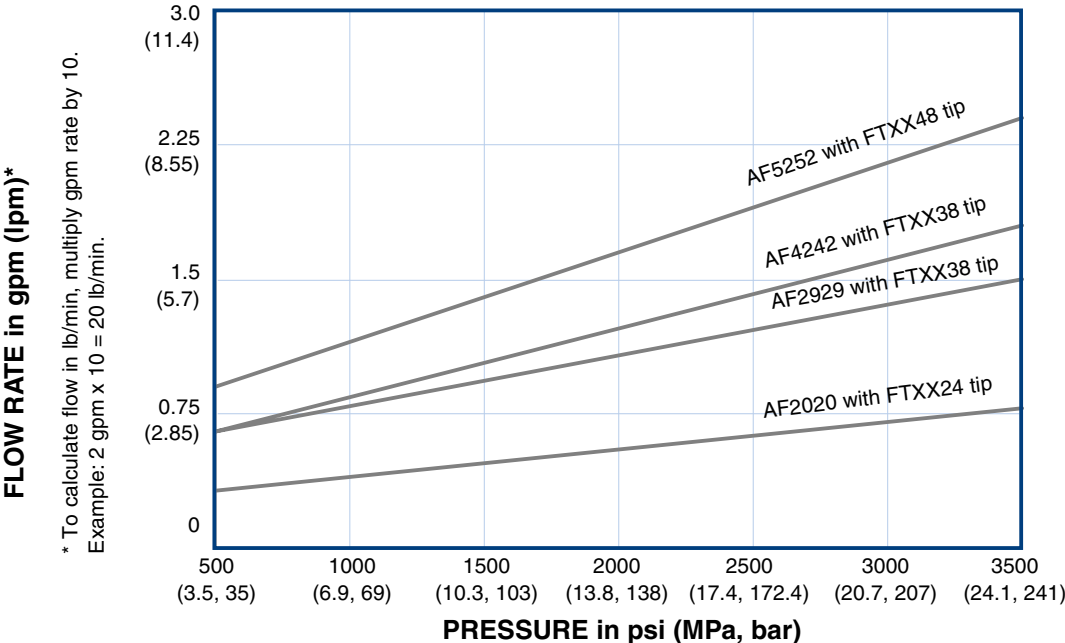
Spatter Pattern Gun






Gun Part No., Series	Mix Chamber		
	Part No.	Impingement Port Size in (mm)	Equivalent Size
248408 A	AR7070	.070 (1.75)	-04

Flat Pattern Guns

Gun Part No., Series	Mix Chamber			Flat Tip		
	Part No.	Impingement Port Size in. (mm)	Equivalent Size	Part No.	Pattern Size in. (mm)	Orifice Size in. (mm)
247101, A	AF2020	.020 (0.50)	-000	FT0424	8-10 (203-254)	.024 (0.61)
247102, A	AF2020	.020 (0.50)	-000	FT0438	8-10 (203-254)	.038 (0.97)
247103, A	AF2020	.020 (0.50)	-000	FT0624	12-14 (305-356)	.024 (0.61)
247104, A	AF2020	.020 (0.50)	-000	FT0638	12-14 (305-356)	.038 (0.97)
247107, A	AF2020	.020 (0.50)	-000	FT0838	16-18 (406-457)	.038 (0.97)
247108, A	AF2020	.020 (0.50)	-000	FT0848	16-18 (406-457)	.048 (1.22)
247111, A	AF2929	.029 (0.70)	-00	FT0424	8-10 (203-254)	.024 (0.61)
247112, A	AF2929	.029 (0.70)	-00	FT0438	8-10 (203-254)	.038 (0.97)
247113, A	AF2929	.029 (0.70)	-00	FT0624	12-14 (305-356)	.024 (0.61)
247114, A	AF2929	.029 (0.70)	-00	FT0638	12-14 (305-356)	.038 (0.97)
247117, A	AF2929	.029 (0.70)	-00	FT0838	16-18 (406-457)	.038 (0.97)
247118, A	AF2929	.029 (0.70)	-00	FT0848	16-18 (406-457)	.048 (1.22)
247121, A	AF4242	.042 (1.00)	-01	FT0424	8-10 (203-254)	.024 (0.61)
247122, A	AF4242	.042 (1.00)	-01	FT0438	8-10 (203-254)	.038 (0.97)
247123, A	AF4242	.042 (1.00)	-01	FT0624	12-14 (305-356)	.024 (0.61)
247124, A	AF4242	.042 (1.00)	-01	FT0638	12-14 (305-356)	.038 (0.97)
247127, A	AF4242	.042 (1.00)	-01	FT0838	16-18 (406-457)	.038 (0.97)
247128, A	AF4242	.042 (1.00)	-01	FT0848	16-18 (406-457)	.048 (1.22)
247131, A	AF5252	.052 (1.30)	-02	FT0424	8-10 (203-254)	.024 (0.61)
247132, A	AF5252	.052 (1.30)	-02	FT0438	8-10 (203-254)	.038 (0.97)
247133, A	AF5252	.052 (1.30)	-02	FT0624	12-14 (305-356)	.024 (0.61)
247134, A	AF5252	.052 (1.30)	-02	FT0638	12-14 (305-356)	.038 (0.97)
247137, A	AF5252	.052 (1.30)	-02	FT0838	16-18 (406-457)	.038 (0.97)
247138, A	AF5252	.052 (1.30)	-02	FT0848	16-18 (406-457)	.048 (1.22)

Flat Pattern Guns, continued



 WARNING	
	<p>PERSONAL PROTECTIVE EQUIPMENT</p> <p>You must wear proper protective equipment when operating, servicing, or when in the operating area of the equipment to help protect you from serious injury, including eye injury, inhalation of toxic fumes, burns, and hearing loss. This equipment includes but is not limited to:</p> <ul style="list-style-type: none"> • Protective eyewear • Clothing and respirator as recommended by the fluid and solvent manufacturer • Gloves • Hearing protection.
	<p>TOXIC FLUID OR FUMES HAZARD</p> <p>Toxic fluids or fumes can cause serious injury or death if splashed in the eyes or on skin, inhaled, or swallowed.</p> <ul style="list-style-type: none"> • Read Material Safety Data Sheet (MSDS) to know the specific hazards of the fluids you are using. • Store hazardous fluid in approved containers, and dispose of it according to applicable guidelines.
	<p>INJECTION HAZARD</p> <p>High-pressure fluid from gun, hose leaks, or ruptured components will pierce skin. This may look like just a cut, but it is a serious injury that can result in amputation. Get immediate medical attention.</p> <ul style="list-style-type: none"> • Do not point the gun at anyone or at any part of the body. • Do not put your hand or fingers over the gun fluid nozzle. • Do not stop or deflect leaks with your hand, body, glove, or rag. • Do not “blow back” fluid; this is not an air spray system. • Follow Pressure Relief Procedure, page 14, when you stop spraying and before cleaning, checking, or servicing equipment. • Use lowest possible pressure when flushing, priming, or troubleshooting. • Engage piston safety lock when not spraying. • Tighten all fluid connections before operating the equipment. • Check hoses, tubes, and couplings daily. Replace worn or damaged parts immediately. High pressure hose cannot be recoupled; replace the entire hose.
	<p>BURN HAZARD</p> <p>Equipment surfaces and fluid that’s heated can become very hot during operation. To avoid severe burns, do not touch hot fluid or equipment. Wait until equipment/fluid has cooled completely.</p>


WARNING
**FIRE AND EXPLOSION HAZARD**

Flammable fumes, such as solvent and paint fumes, in work area can ignite or explode. To help prevent fire and explosion:

- Use equipment only in well ventilated area.
- Eliminate all ignition sources, such as pilot lights, cigarettes, portable electric lamps, and plastic drop cloths (potential static arc).
- Do not plug or unplug power cords or turn lights on or off when flammable fumes are present.
- Keep the work area free of debris, including solvent, rags, and gasoline.
- Ground equipment and conductive objects. See **Grounding**, page 9.
- Hold gun firmly to side of grounded pail when triggering into pail.
- Use only grounded hoses.
- If there is static sparking or you feel a shock, **stop operation immediately**. Do not use equipment until you identify and correct the problem.

**EQUIPMENT MISUSE HAZARD**

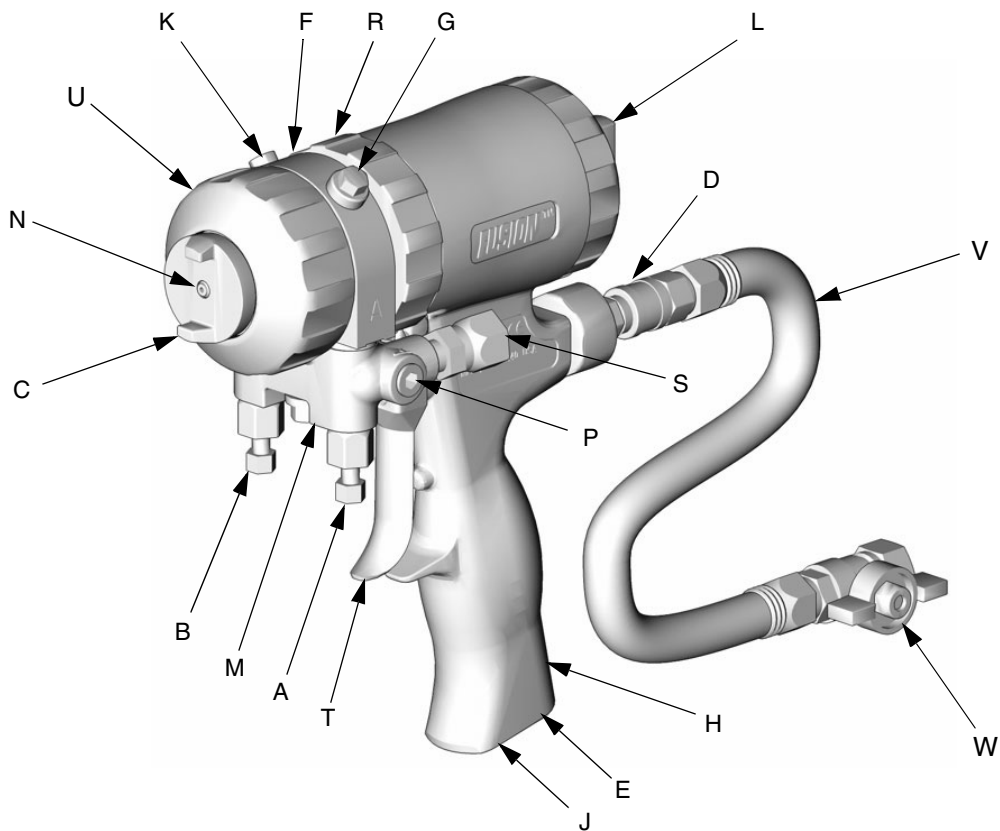
Misuse can cause serious injury or death.

- For professional use only.
- Use equipment only for its intended purpose. Call your Graco distributor for information.
- Read manuals, warnings, tags, and labels before operating equipment. Follow instructions.
- Check equipment daily. Repair or replace worn or damaged parts immediately.
- Do not alter or modify equipment. Use only Graco parts and accessories.
- Do not exceed the maximum working pressure or temperature rating of the lowest rated system component. See **Technical Data** in all equipment manuals.
- Use fluids and solvents that are compatible with equipment wetted parts. See **Technical Data** in all equipment manuals. Read fluid and solvent manufacturer's warnings.
- Route hoses and cables away from traffic areas, sharp edges, moving parts, and hot surfaces.
- Do not use hoses to pull equipment.
- Comply with all applicable safety regulations.

**PRESSURIZED ALUMINUM PARTS HAZARD**

Do not use 1,1,1-trichloroethane, methylene chloride, other halogenated hydrocarbon solvents or fluids containing such solvents in pressurized aluminum equipment. Such use can cause serious chemical reaction and equipment rupture, and result in death, serious injury, and property damage.

Overall View




TI2408A

Key:

A	A Side Fluid Valve (ISO)	L	Piston Safety Lock
B	B Side Fluid Valve (RESIN)	M	Gun Fluid Manifold
C	Air Cap	N	Mix Chamber Nozzle
D	Air Line Quick Coupler	P	Optional Fluid Inlets (A Side Shown)
E	Muffler	R	Lock Ring
F	Fluid Housing	S	Fluid Inlet Swivels (A Side Shown)
G	Grease Fitting (under cap)	T	Trigger
H	Handle	U	Front Retaining Ring
J	Optional Air Inlet	V	Gun Air Whip Hose
K	Cleanoff Air Valve	W	Air Valve

Isocyanate Hazard

WARNING



Read Material Safety Data Sheet (MSDS) to know the specific hazards of isocyanates. Use equipment in a well-ventilated area. Wear respirator, gloves, and protective clothing when using isocyanates.


Keep A and B Components Separate

CAUTION

To prevent cross-contamination of the gun's wetted parts, do not interchange A component (isocyanate) and B component (resin) parts. The gun is shipped with the A side on the left. The fluid manifold, fluid housing, side seal cartridge, check valve cartridge, and mix chamber are marked on the A side.

Grounding

WARNING



Read warnings, page 7.


Check your local electrical code and proportioner manual for detailed grounding instructions.

Ground the spray gun through connection to a Graco-approved grounded fluid supply hose.

Piston Safety Lock

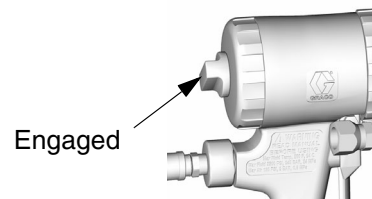
Engage piston safety lock whenever you stop spraying, to avoid accidental triggering.

WARNING



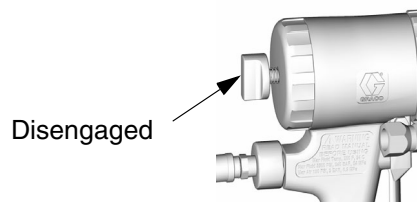
Read warnings, page 6.

To engage piston safety lock: push knob in and turn clockwise. If engaged, gun will not actuate.



TI2409A

To disengage piston safety lock: push knob in and turn counterclockwise until it pops out. There will be a gap between knob and gun body.



TI2410A

Turning Air Cap

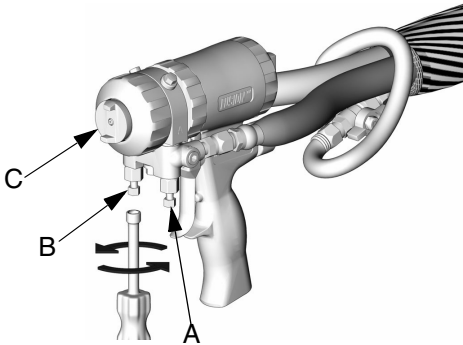
 **WARNING**



Read warnings, page 6.

1. Follow **Pressure Relief Procedure**, page 14.

2. Close fluid valves A and B before turning air cap (C).

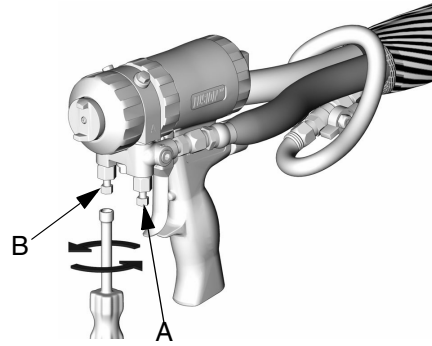


TI2421A

Loss of Air Pressure

In event of loss of air pressure, gun will continue to spray. To shut off gun, do one of the following:

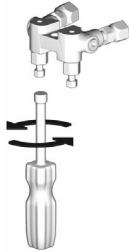
- Push in piston safety lock, see page 9.
- Close fluid valves A and B.



TI2421A

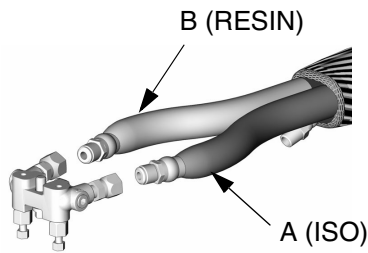
Setup

1. Close fluid valves A and B.



TI2411A

2. Connect A (ISO) and B (RESIN) fluid hoses to fluid manifold.



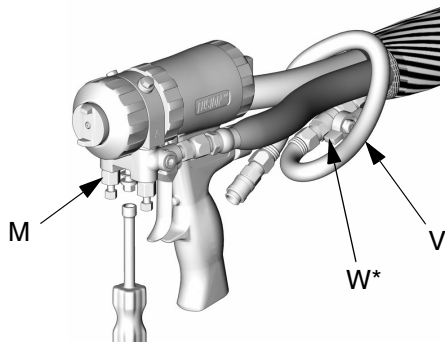
TI2417A

3. Engage piston safety lock, page 9.




TI2409A

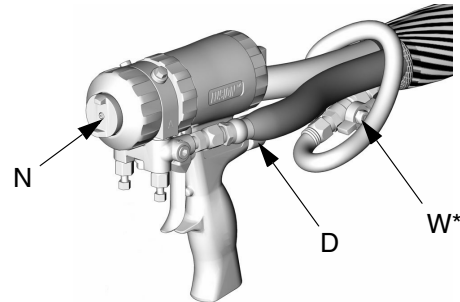
4. Connect gun air whip hose (V) and air valve (W*) to main air hose. Attach fluid manifold (M) to gun.




TI2554A

 To change position of fluid manifold or use optional fluid inlets, see pages 15 and 16.

5. Connect quick coupler (D). Turn on air. Open air valve (W*). Air should flow from nozzle (N).



TI2414-1A

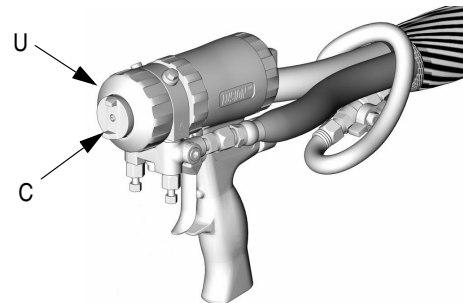
 To use optional air inlet, see page 16.

6. Disengage piston safety lock, page 9.



TI2410A

7. Trigger gun to check for full mix chamber travel. Front of air cap (C) should be approximately flush with front retaining ring (U).

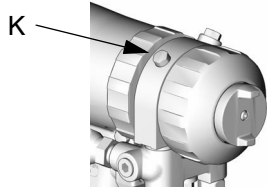


TI2414-1A

* (W) Not included with spatter gun.

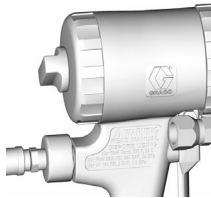
Open cleanoff air valve (K) 1/4-1/2 turn and trigger gun to check that cleanoff air is flowing. Adjust as desired. This step does not apply with spatter spray gun 248408.

8.



TI2413A

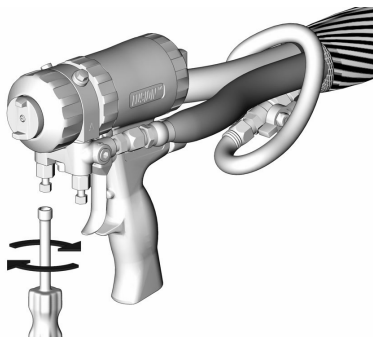
9. Engage piston safety lock, page 9.



TI2409A

10. Turn on proportioner.

11. Open B (RESIN) fluid valve (about three half turns). Then open A (ISO) fluid valve.



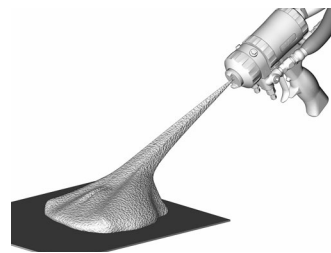
TI2414A

12. Disengage piston safety lock, page 9.



TI2410A

13. Test spray onto cardboard. Adjust pressure and temperature to get desired results.



TI2645A

14. Apply layer of lubricant over front of gun and lock ring, or use gun cover to prevent overspray buildup and ease disassembly. See page 42 to order lubricant and gun cover.

15. Gun is ready to spray.


CAUTION

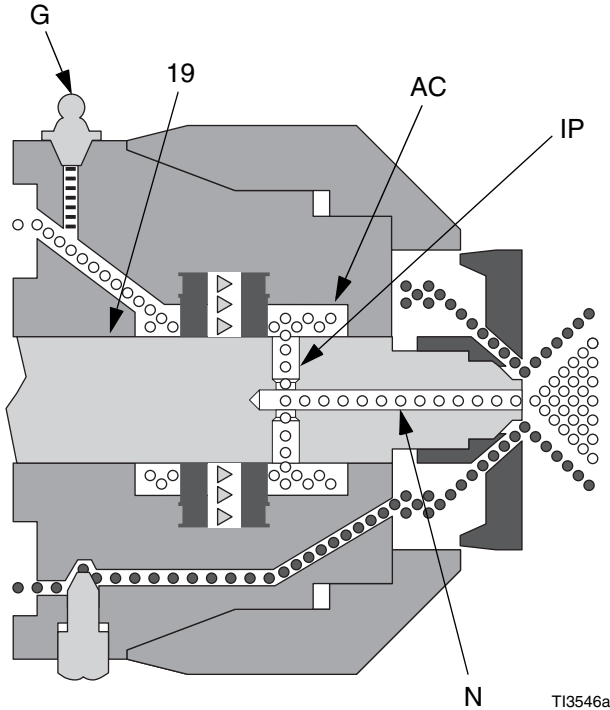
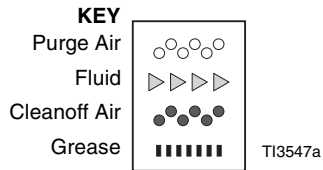
Air supply is required for gun actuation. Do not disconnect gun air supply until fluid pressure is relieved, page 14.

Shutdown

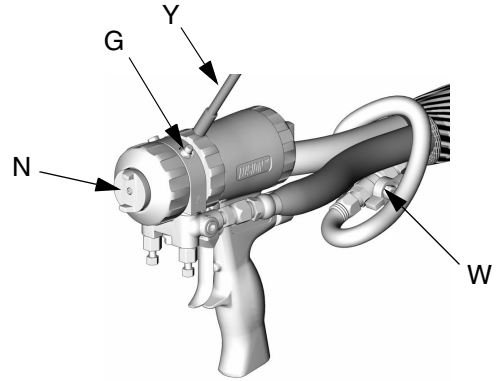
For overnight shutdown:

1. Follow **Pressure Relief Procedure**, page 14.
2. Leave air turned on and gun detriggled.

 Grease gun daily to prevent 2 component curing and keep fluid passages clean. Purge air carries grease mist through air chamber (AC), impingement ports (IP), and out mix chamber nozzle (N), coating all surfaces. Use Graco 117773 Grease, see page 42.



3. Remove grease fitting cap. Using grease gun (Y), dispense grease into fitting (G) until grease mist sprays from mix chamber nozzle (N). Do not over-grease; use 2 shots maximum. Do not spray grease mist on sprayed material.




T12415A

4. Replace grease cap.
5. *Round and Flat pattern guns only:* Turn off air valve (W).
Spatter pattern gun only: Shut down main air supply.

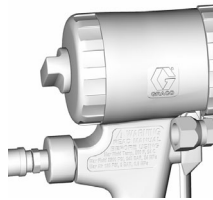
Pressure Relief Procedure

WARNING



Read warnings, page 6. Relieve pressure before cleaning or repairing gun.

1. Engage piston safety lock, page 9.

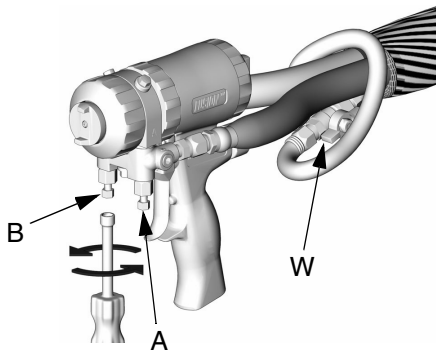


TI2409A

CAUTION

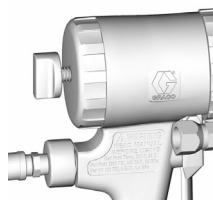
Air supply is required for gun actuation. Do not disconnect gun air supply until fluid pressure is relieved.

2. Close fluid valves A and B. Leave air valve (W) open.



TI2421A

3. Disengage piston safety lock, page 9.



TI2410A

4. Trigger gun onto cardboard or into waste container to relieve pressure.




TI4722a

5. Engage piston safety lock, page 9.



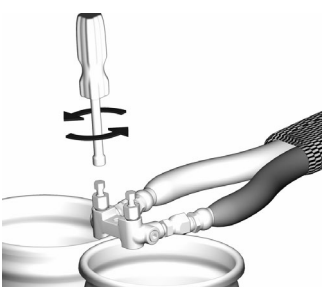
TI2409A

WARNING



Fluid in the hose and proportioner is still under pressure. Follow the Pressure Relief Procedure in the proportioner manual.

To relieve pressure in the hose after the gun is removed, place the fluid manifold over containers, facing away from you. Very carefully open the fluid valves. Under high pressure, fluid will spray sideways from the fluid ports.



TI2484A

Optional Configurations

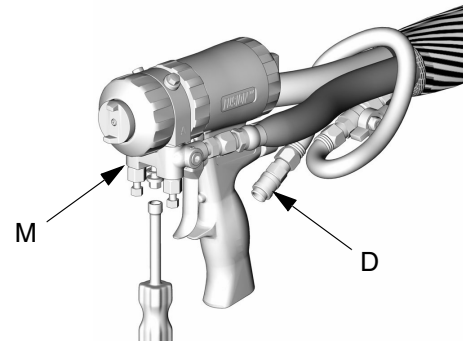
Optional Fluid Manifold Position

Fluid manifold is mounted to bottom of gun, with A side on left, viewed from operator's position at back of gun. If desired, manifold may be moved to top of gun. Doing this will reposition A side parts (fluid inlet swivel, check valve, side seal cartridge, and mix chamber) to right.

CAUTION
To prevent cross-contamination of gun's wetted parts, do not interchange A component (isocyanate) and B component (resin) parts.

1. Follow **Pressure Relief Procedure**, page 14.

2. Disconnect air (D) and remove fluid manifold (M).



TI2554A

3. **Remove Front End**, page 26.
4. Rotate fluid housing 180°.
5. **Attach Front End**, page 27.
6. Attach fluid manifold. Connect air. Return gun to service.

Optional Hose Position*

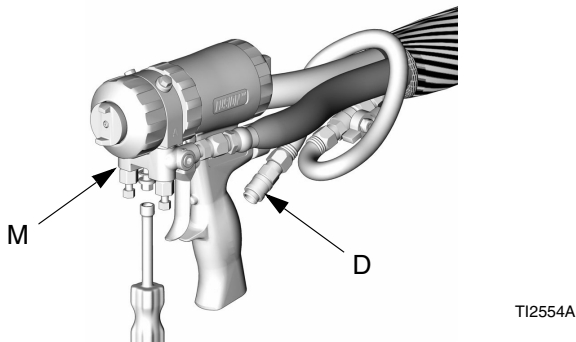
Fluid inlet swivels and air quick disconnect fitting point to rear. If desired, these positions can be changed so hoses travel downward.

CAUTION

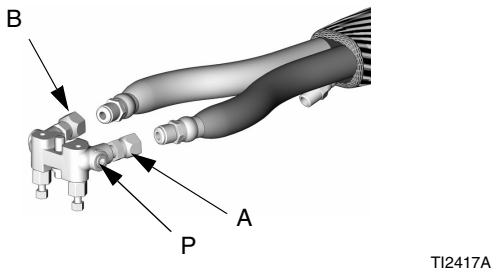
To prevent cross-contamination of gun's wetted parts, do not interchange A component (isocyanate) and B component (resin) parts.

1. Follow **Pressure Relief Procedure**, page 14. Also relieve system pressure, see proportioner manual.

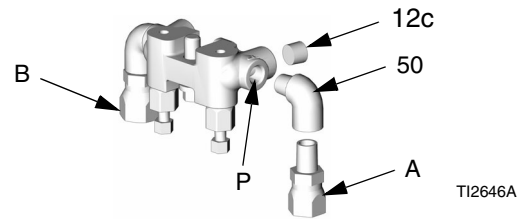
2. Disconnect air (D) and remove fluid manifold (M).



3. Disconnect fluid hoses from inlet swivels (A, B). Remove swivels. Remove plugs from optional inlets (P).

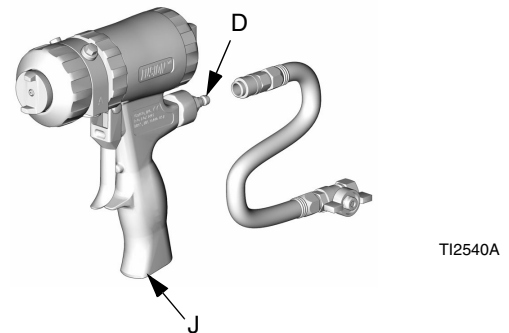


4. Apply thread sealant to plugs (12c), elbows (50), and male threads of swivels (A, B). Install elbows (50) in optional inlets (P), facing down. Install swivels (A, B) in elbows. Be sure to install A swivel (smaller) in A side. Install plugs where swivels had been. Torque all parts to 235-245 in-lb (26.6-27.7 N•m).



5. Connect A and B hoses to A and B swivels.

6. Remove fitting (D) and plug (J). Reverse positions. Apply thread sealant and torque to 125-135 in-lb (14-15 N•m).

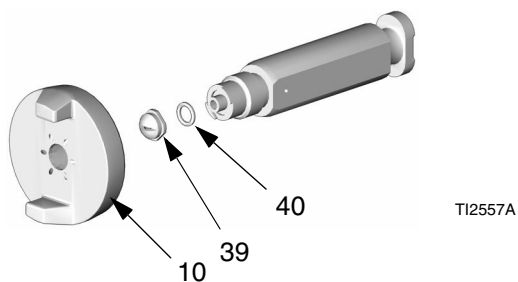



7. Attach fluid manifold. Connect air. Return gun to service.

* Elbows (50) are not included with spatter spray gun.

Flat Spray Tips

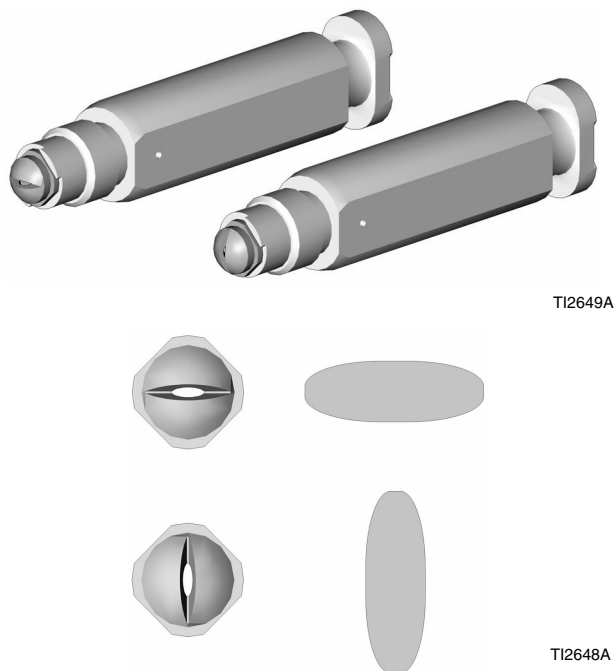
1. Follow **Pressure Relief Procedure**, page 14.
2. Remove air cap (10) and flat spray tip (39). Inspect o-ring (40).




 If tip is stuck, pry off with small screwdriver or pull off with pliers. Tip is hardened to resist damage.

3. To clean, soak tip in compatible solvent, see page 19. Clean gently with tip cleanout tool 15D234, page 43, to fit tip configuration.

4. Reposition tip horizontally or vertically, or install different tip size.



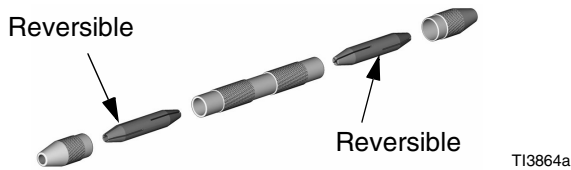
 Tips marked on back with last 3 digits of part no. See **Flat Tip Part No. Reference Guide**, page 37.

5. Reinstall air cap hand tight. Cleaning hole alignment to tip not important.

Maintenance

Supplied Tool Kit

- Hex Nut Driver; 5/16
- Screwdriver; 1/8 blade
- Nozzle Drill Bit; various sizes depending on nozzle size. See TABLE 1, page 20.
- Impingement Port Drill Bit; various sizes depending on port size. See TABLE 3, page 21.
- 117661 Pin Vise; dual reversible chucks



- 551189 Grease Gun; with 3 oz grease
- 15B817 Flush Manifold
Not included with spatter spray gun.

Keep Gun Clean

Keep gun clean with accessory gun cover, page 39.

Applying a light coat of lubricant will make cleaning easier.

As Needed

1. Clean **Outside of Gun**, page 19.

2. Clean **Mix Chamber Nozzle**, page 20, a minimum of once a day.

3. Clean **Air Cap**, page 19.

4. Clean **Muffler**, page 19.

5. Clean **Fluid Manifold**, page 19.

6. Clean **Passages**, page 20.

7. Clean **Impingement Ports**, page 20.

Daily

Follow **Shutdown**, page 13.

Weekly to Monthly

1. Clean **Mix Chamber and Side Seal Cartridges**, page 28. Check o-rings.

2. Clean **Check Valves**, page 30. Check o-rings and filters.

Flush Gun

If it is necessary to flush gun, use following procedure.

 WARNING

Read warnings, page 7.

- 1.** Follow **Pressure Relief Procedure**, page 14.
- 2.** Flush with compatible solvent into a grounded metal pail, holding a metal part of fluid manifold firmly to side of pail. Use the lowest possible fluid pressure when flushing.
- 3.** Follow **Pressure Relief Procedure**, page 14.



For a more thorough flush, Solvent Flush Kit 218669 is available as an accessory. The kit connects to Flush Manifold 15B817.

Clean Outside of Gun

Wipe off outside of gun with compatible solvent.

Use N Methyl Pyrrolidone (NMP), Dynasolve CU-6, Dzolv, or equivalent to soften cured material.

CAUTION
These solvents are not recommended for flushing.

Clean Air Cap

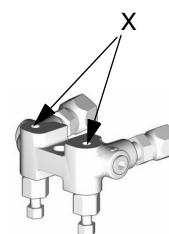
Soak air cap in compatible solvent. Clean holes with #58 (.042) drill bit.

Clean Muffler

Remove and clean muffler with compatible solvent.

Clean Fluid Manifold

Clean fluid manifold sealing faces with compatible solvent and a brush whenever removed from gun. Be sure to clean the two fluid ports (X) in the top mating surface. Do not damage the flat sealing surfaces. Coat with grease if left exposed, to seal out moisture.



TI2411-1

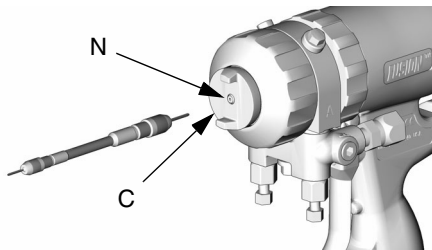
Clean Mix Chamber Nozzle

1. Engage piston safety lock, page 9.



TI2409A

2. Refer to TABLE 1. Also see identification chart under **Drill Bit Kits**, page 38. Use the appropriate size drill bit to clean mix chamber nozzle (N). If necessary, clean air cap (C) gently with stiff brush.



TI2418A

Table 1: Nozzle Drill Bit Sizes

Round Spray		Flat Spray	
Mix Chamber Part No.	Drill Size in. (mm)	Mix Chamber Part No.	Drill Size in. (mm)
AR2020	#58, .042 (1.00)	AF2020	3/32, .094 (2.35)
AR2929	#55, .052 (1.30)	AF2929	3/32, .094 (2.35)
AR3737	#55, .052 (1.30)		
AR4242	#53, .060 (1.50)	AF4242	3/32, .094 (2.35)
AR5252	#50, .070 (1.75)	AF5252	3/32, .094 (2.35)
AR6060	#44, .086 (2.15)		
AR7070	3/32, .094 (2.35)		
AR8686	#32, 0.116 (2.90)		

Clean Passages

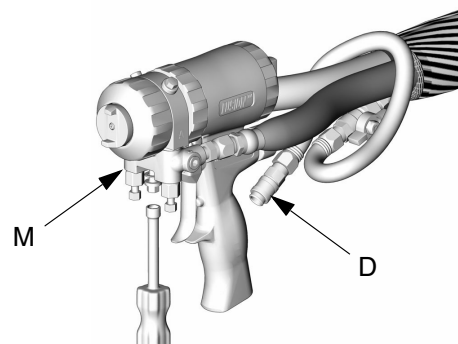
If necessary, clean out passages in fluid housing and handle with drill bits. Refer to TABLE 2 and to **Cutaway View** on page 25 for diameter and location of passages. All drill bits are available in an accessory kit. Order kit 248969 for Air Purge Handle Drill Kit, see page 39.

Table 2: Passage Diameters

Passage Description	Ref. Letter (page 25)	Diameter, in. (mm)
Optional Air Inlet	C	7/16, 1/8 (11.0, 3.1)
Purge Air	D	1/8 (3.1)
Piston Air	E, F	1/8 (3.1)
Air Exhaust	G	11/32, 1/8 (8.7, 3.1)
Air Valve Bore	H	9/32 (7.1)
Cleanoff Air	Not Shown	3/32 (2.35)
Check Valve Holes	Not Shown	3/32 (2.35)
Grease	Not Shown	3/32 (2.35)

Clean Impingement Ports

1. Follow **Pressure Relief Procedure**, page 14.
2. Disconnect air (D) and remove fluid manifold (M).



TI2554A

3. **Flush Gun**, page 19. If gun will not flush, see page 28.
4. **Remove Front End**, page 26.

- 5.** Push mix chamber forward until impingement ports (IP) are visible. See TABLE 3 for appropriate size drill to clean ports. Also see identification chart under **Drill Bit Kits**, page 38. Some mix chambers have counterbored holes (CB) and require two drill sizes to clean impingement ports completely.

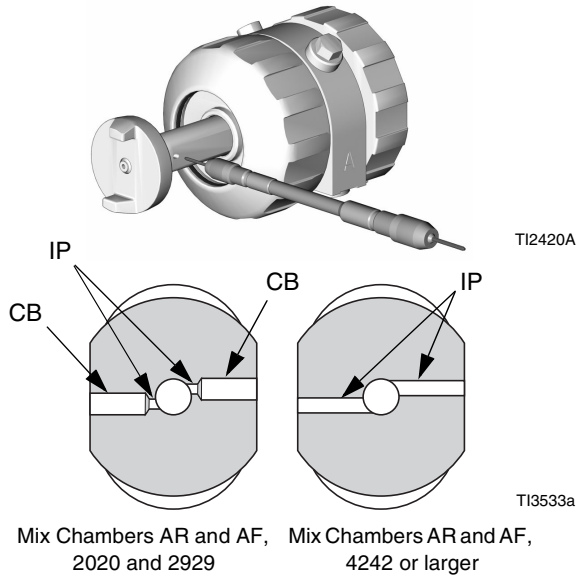


Table 3: Impingement Port Drill Bit Sizes

Mix Chamber Part No.	Impingement Port (IP) Drill Bit Size in. (mm)	Counterbore (CB) Drill Bit Size in. (mm)
AR2020	#76, .020 (0.50)	#53, .060 (1.50)
AR2929	#69, .029 (0.70)	#53, .060 (1.50)
AR3737	#63, .037 (0.94)	N/A
AR4242	#58, .042 (1.00)	N/A
AR5252	#55, .052 (1.30)	N/A
AR6060	#53, .060 (1.50)	N/A
AR7070	#50, .070 (1.75)	N/A
AR8686	#44, .086 (2.15)	N/A
AF2020	#76, .020 (0.50)	#53, .060 (1.50)
AF2929	#69, .029 (0.70)	#53, .060 (1.50)
AF4242	#58, .042 (1.00)	N/A
AF5252	#55, .052 (1.30)	N/A

- 6.** Push mix chamber back in position.
- 7.** Attach Front End, page 27.
- 8.** Attach fluid manifold. Connect air. Return gun to service.

Troubleshooting

1. Follow **Pressure Relief Procedure**, page 14, before checking or repairing gun.
2. Check all possible problems and causes before disassembling gun.

CAUTION
To prevent cross-contamination of the gun's wetted parts, do not interchange A component (isocyanate) and B component (resin) parts.

PROBLEM	CAUSE	SOLUTION
Gun does not fully actuate when triggered.	Safety lock engaged.	Disengage safety lock, page 9.
	Plugged muffler (22).	Clean, page 19.
	Damaged air valve o-rings (24).	Replace, page 32.
Fluid does not spray when gun is fully actuated.	Closed fluid valves (12b).	Open.
	Plugged impingement ports.	Clean, page 20.
	Plugged check valves (26).	Clean, page 30.
Gun actuates slowly.	Plugged muffler (22).	Clean, page 19.
	Damaged piston o-rings (16, 17).	Replace, page 31.
	Dirty air valve, or damaged o-rings (24).	Clean air valve or replace o-rings, page 32.
Gun delays, then actuates abruptly.	Cured material around side seals (18).	Inspect side seals (18c) and mix chamber (19) for scratches. Replace, page 28.
	Retaining ring (9) not bottomed out.	Tighten retaining ring until bottomed out.
Loss of round pattern.	Dirty mix chamber nozzle.	Clean, page 20.
Loss of flat pattern.	Plugged spray tip.	Clean in compatible solvent, page 17.
	Worn tip.	Replace, page 17.
	Dirty mix chamber nozzle.	Clean, page 20.
Leakage between flat tip and mix chamber.	Tip not seated properly.	Reassemble, page 17.
	Damaged/missing o-ring (40).	Replace, page 17.
Pressure imbalance.	Plugged impingement ports.	Clean, page 20.
	Plugged check valves (26).	Clean, page 30.
	Viscosities not equal.	Adjust temperature to compensate.

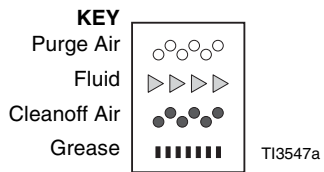
PROBLEM	CAUSE	SOLUTION
A and/or B fluid in gun air section.	Damaged side seals (18c).	Replace, page 28.
	Damaged mix chamber (19).	Replace, page 28.
	Damaged side seal o-rings (18d, 18e).	Replace, page 28.
	Tightened air cap with fluid valves (12b) open.	Close valves first.
Fluid mist from mix chamber or air cap.	Damaged side seals (18c).	Replace, page 28.
	Damaged side seal o-rings (18d, 18e).	Replace, page 28.
	Damaged mix chamber (19).	Replace, page 28.
Excessive overspray.	Too much cleanoff air.	Reduce, page 12.
Rapid buildup of material on air cap.	Plugged air cap holes.	Clean, page 19.
	Too little cleanoff air.	Increase, page 12.
	Damaged/missing fluid housing o-ring (23).	Replace, page 28.
	Damaged front o-ring (3).	Replace, page 28.
Reduced cleanoff air.	Damaged front o-ring (3).	Replace, page 28.
Excessive cleanoff air when fluid valves are closed and gun is triggered.	Damaged/missing fluid housing o-ring (23).	Replace, page 28.
Fluid does not shut off when fluid valves are closed.	Damaged fluid valves (12b).	Replace.
Burst of air from muffler when gun is triggered.	Normal.	No action required.
Steady air leakage from muffler.	Damaged air valve o-rings (24).	Replace, page 32.
	Damaged piston o-rings (16, 17).	Replace, page 31.
Air leakage from front air valve.	Damaged air valve o-rings (24).	Replace, page 32.
Air leak around lock ring.	Damaged o-ring (21).	Replace, page 28.
Cannot tighten retaining ring (9) until it bottoms out.	Air cap (10) assembled before retaining ring (9).	Install retaining ring (9) first, then air cap (10), page 29.

Theory of Operation

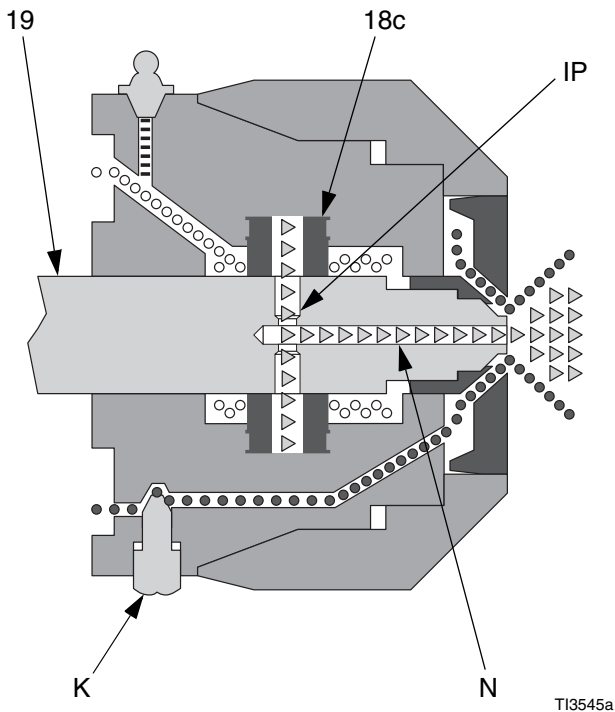
Gun Triggered (Fluid Spraying)

Mix chamber (19) moves back, shutting off purge air flow. Impingement ports (IP) align with fluid ports of side seals (18c), allowing fluid to flow through mix chamber nozzle (N).

See page 12 to adjust cleanoff air valve (K).



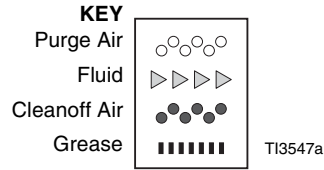
Flow paths are not shown to scale, for clarity.



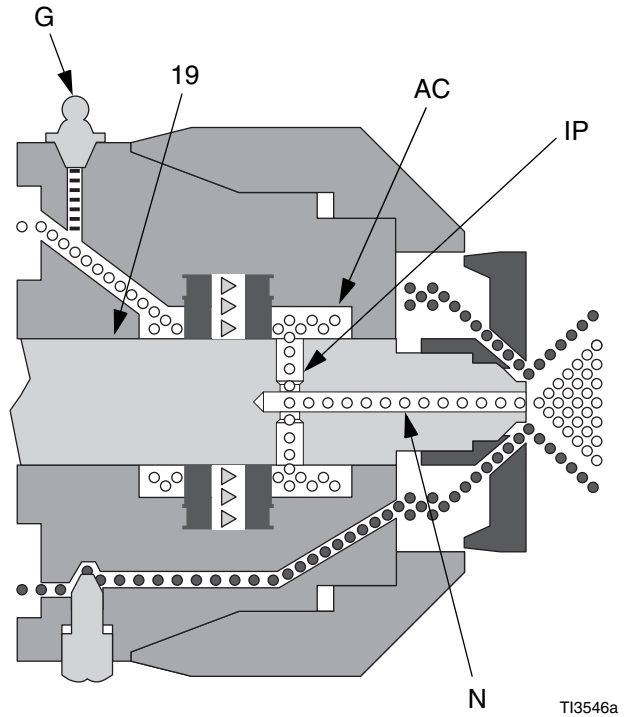
Gun Detriggered (Air Purging)

Mix chamber (19) moves forward, shutting off fluid flow. Impingement ports (IP) open to air chamber (AC), allowing purge air to flow through mix chamber nozzle (N).

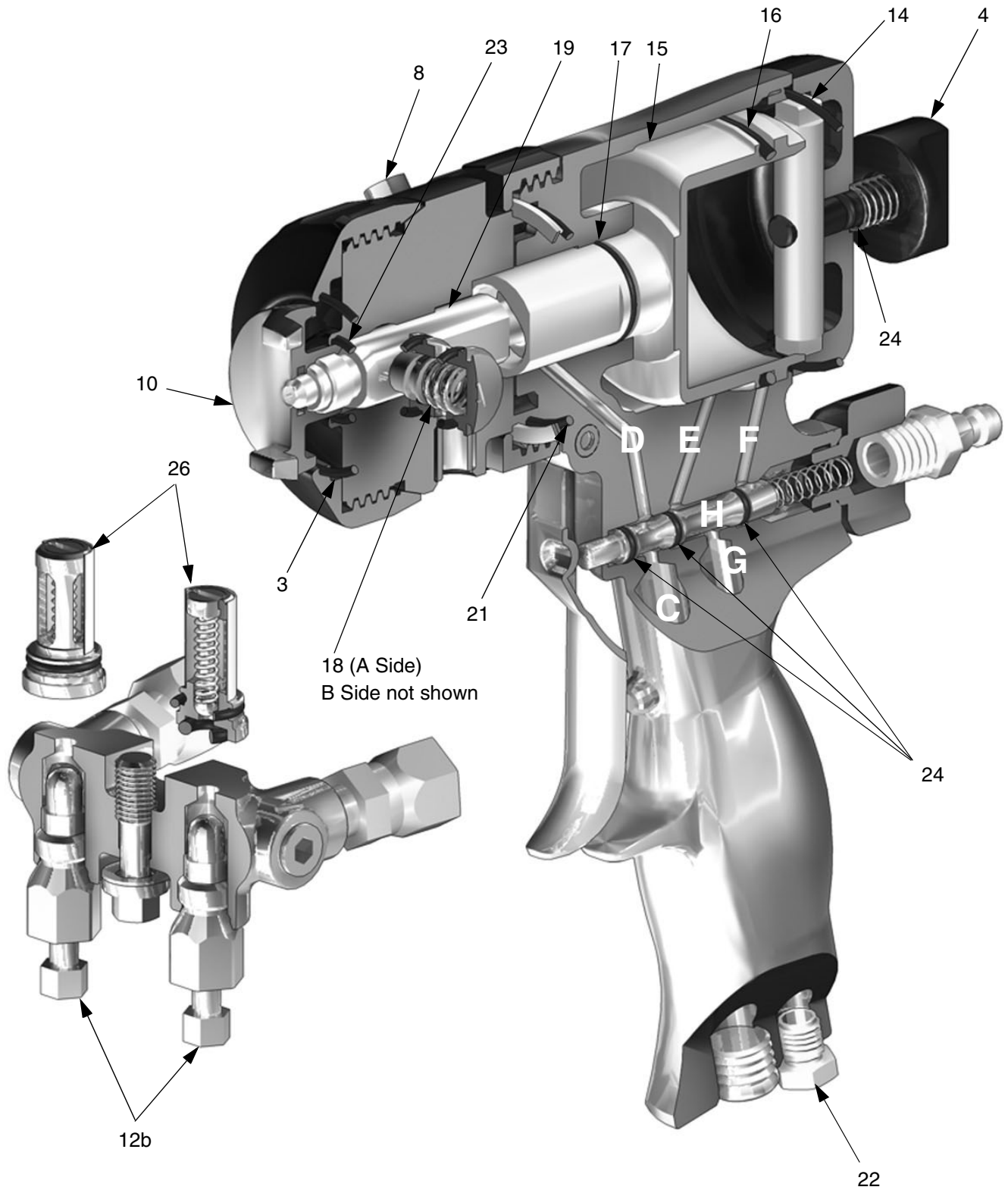
See page 13 for use of grease fitting (G).



Flow paths are not shown to scale, for clarity.



Cutaway View



Repair

Tools Required



Tools needed for complete gun repair:

- adjustable wrench
- flat head screwdriver (included)
- 1/8 in. (3 mm) diameter rod
- 5/16 hex nut driver (included)

Lubrication

Liberal lubricate all o-rings, seals, and threads. Lubricate threads and outside of lock ring (11). See page 42 to order lubricant.

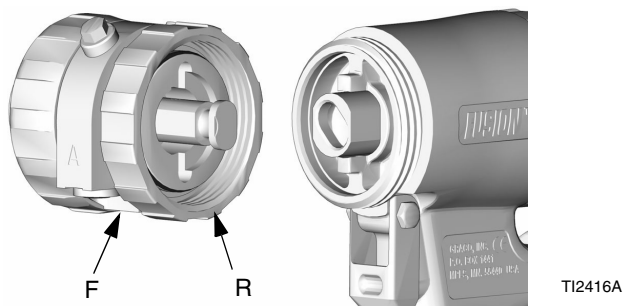
Remove Front End

	WARNING
	
<p>Read warnings, page 6. Proper attachment of front end is critical. Do not operate gun if front end is loose or lock ring is not snug against handle.</p>	

1. Follow **Pressure Relief Procedure**, page 14.
2. **Flush Gun**, page 19.


CAUTION
<p>If lock ring (R) is stuck due to material buildup, do not force it by turning entire front end. Locating tabs (Z) may break off. Soak front of gun in solvent to soften cured material and free lock ring.</p>

3. Unscrew lock ring (R) until front end of gun is loose. Turn fluid housing (F) 1/8 turn counterclockwise. Unscrew lock ring completely and remove front end of gun.



Attach Front End

⚠ WARNING



Read warnings, page 6. Proper attachment of front end is critical. Do not operate gun if front end is loose or lock ring is not snug against handle.

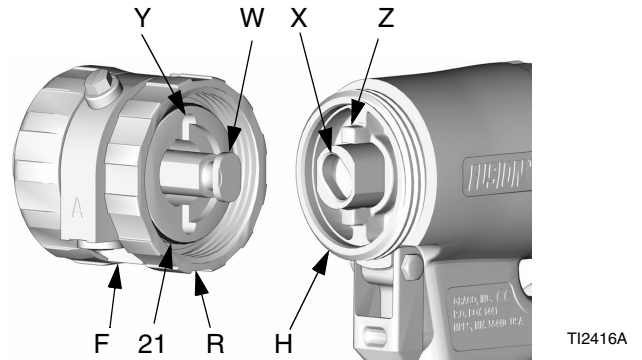
1. Engage piston safety lock, page 9.



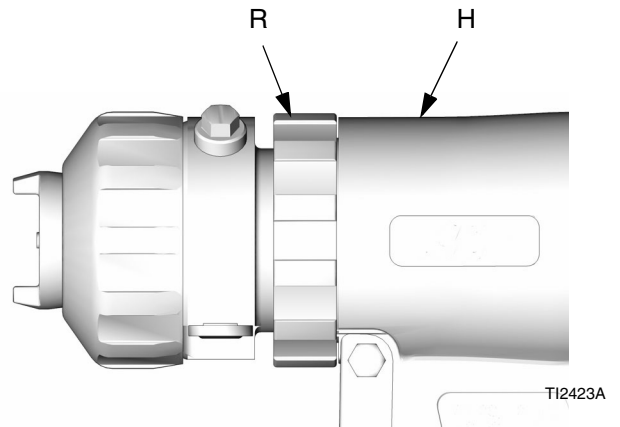
2. Push on air cap (C) until it is flush with front of gun. This ensures that mix chamber is all the way back.



3. Check that o-ring (21) is in position. Liberally lubricate o-ring, threads of lock ring (R) and handle (H), and outside of lock ring. Orient front end (F) as required for desired fluid manifold mounting (bottom mounting is shown). Insert keyed end (W) of mix chamber in socket (X). Screw lock ring onto handle as far as possible by hand.



4. Turn fluid housing 1/8 turn clockwise to engage slots (Y) and tabs (Z). Push on front end to ensure it is properly seated. Continue screwing lock ring (R) onto handle (H) very securely. When properly assembled, lock ring is snug against handle.

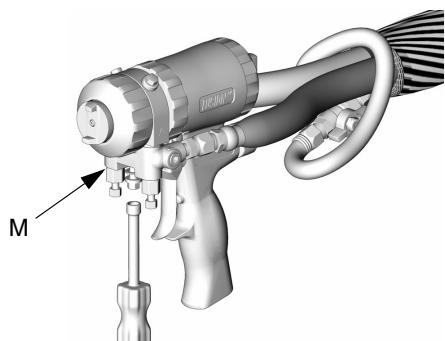


Mix Chamber and Side Seal Cartridges

See page 3 for available mix chamber sizes.

1. Follow **Pressure Relief Procedure**, page 14.

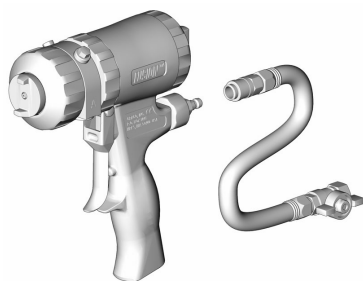
2. Remove fluid manifold (M). Leave air connected.



T12543A

3. Flush gun to remove residual A and B components, page 19. Follow **Pressure Relief Procedure**, page 14.

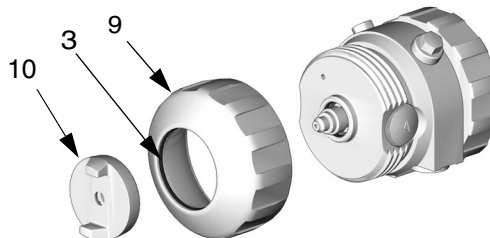
4. Disconnect air.



T12540A

5. Remove **Front End**, page 26.

6. Remove air cap (10) and retaining ring (9). Inspect o-ring (3) inside retaining ring.

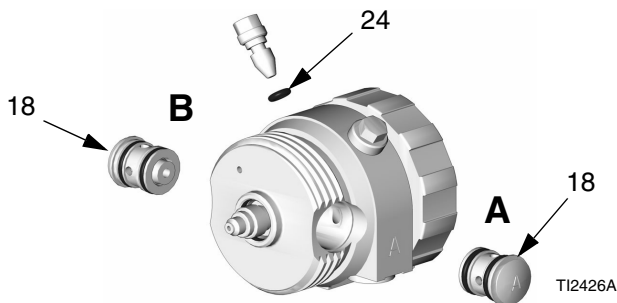


T12424A

CAUTION

To prevent cross-contamination of side seal cartridges, do not interchange A component and B component parts. The A component cartridge is marked with an A.

7. Pull out side seal cartridges (18). Also inspect o-ring (24) on cleanoff air valve (8).



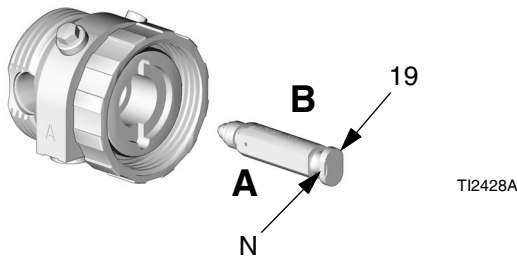
T12426A

Continued on page 29.

8. Pull mix chamber (19) out rear of fluid housing. Inspect for damage and clean ports, page 20. Inspect o-ring (23) in front of fluid housing.

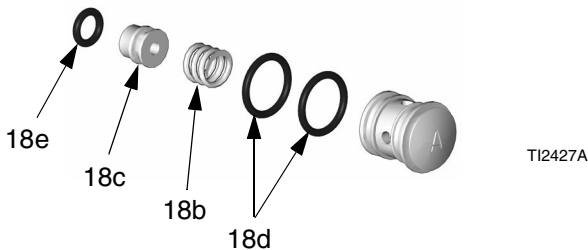
CAUTION
To prevent cross-contamination of the gun's wetted parts, mix chamber is marked with an A and a notch (N) on back edge. Be sure the A side of mix chamber is on the A side of gun.

9. Apply thin coat of lubricant to mix chamber (19). Install mix chamber. Etched **A** and notch (N) must be on same side as **A** on fluid housing. Mix chamber is keyed to fit in fluid housing.

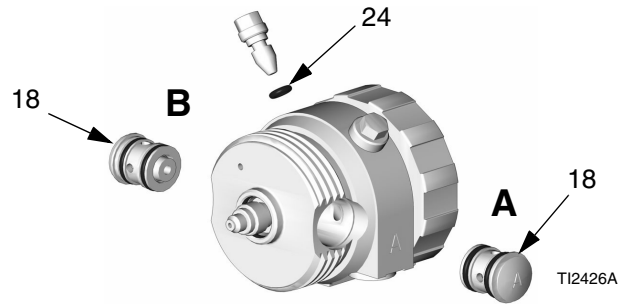


CAUTION
To prevent cross-contamination of side seal cartridges, do not interchange A component and B component parts. The A component cartridge is marked with an A.

10. Carefully inspect side seal cartridge o-rings and surfaces. Replace worn or damaged parts. Liberally lubricate o-rings (18d, 18e) and reassemble. Press on side seal (18c) to check proper spring (18b) operation.



11. Liberally lubricate and reinstall side seal cartridges (18).



12. Lubricate all threads and reinstall retaining ring (9). Install air cap (10).




13. Attach Front End, page 27.

14. Connect air, and trigger the gun a few times to check for leaks. If either check valve pops out of its seated position, there is a poor fluid seal on that side of the mix chamber or side seal/cartridge components. Correct the problem before attaching the fluid manifold.

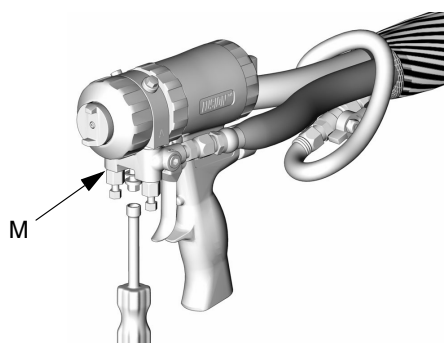
15. Attach fluid manifold. Connect air. Return gun to service.

Check Valves

 Before disassembling, press on ball (26c) to test check valve for proper movement and spring action.

1. Follow **Pressure Relief Procedure**, page 14.

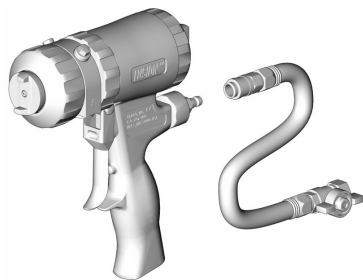
2. Remove fluid manifold (M). Leave air connected.
Clean Fluid Manifold, page 19.



TI2543A

3. Flush gun to remove residual A and B components, page 19. Follow **Pressure Relief Procedure**, page 14.

4. Disconnect air.



TI2540A

CAUTION

To prevent cross-contamination of the check valves, do not interchange A component and B component parts. The A component check valve is marked with an A.

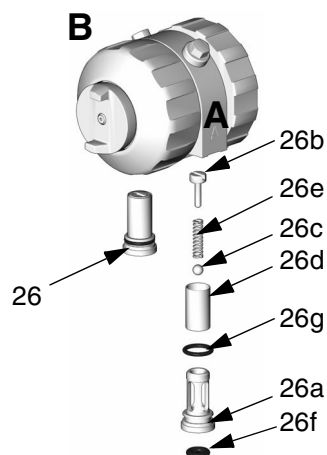
5. Pry out check valves (26) at notch.

WARNING



Read warnings, page 6. Damaged check valve o-rings (26f, 26g) may result in external leakage. Replace o-rings if any damage is seen.

6. Slide filter (26d) off. Clean and inspect parts. Thoroughly inspect o-rings (26f, 26g). If necessary, remove screw (26b) and disassemble entire check valve.



TI2429A

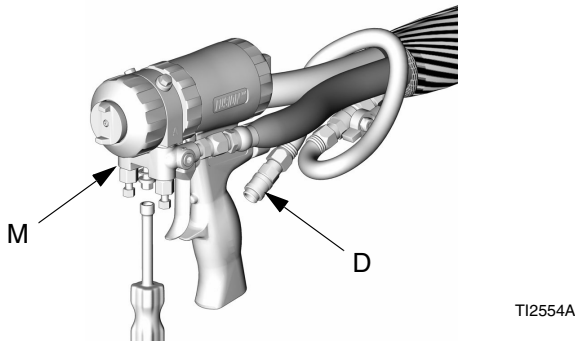
7. Reassemble check valves. Screw (26b) should be flush (within 1/16 in. or 1.5 mm) of housing (26a) surface. Liberally lubricate o-rings (26f, 26g) and carefully reinstall in fluid housing.

8. Attach fluid manifold. Connect air. Return gun to service.

Piston

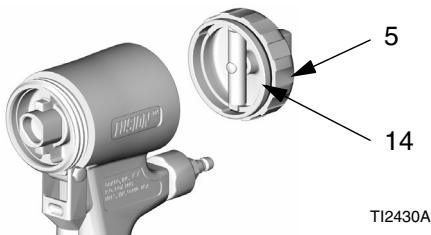
1. Follow **Pressure Relief Procedure**, page 14.

2. Disconnect air (D) and remove fluid manifold (M).



3. Remove **Front End**, page 26.

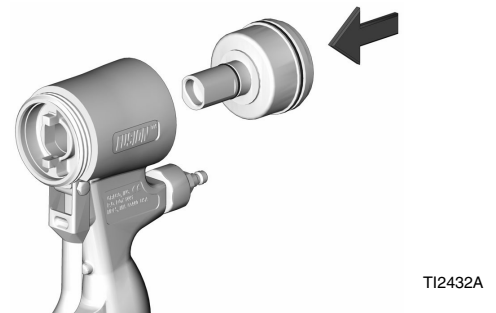
4. Unscrew cylinder cap (5) and inspect o-ring (14).



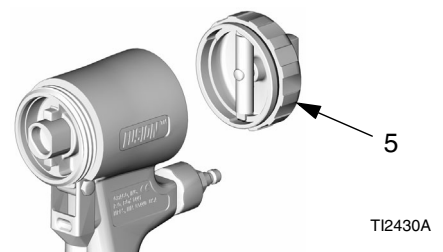
5. Push piston shaft to remove piston (15). Inspect piston o-ring (16) and shaft o-ring (17).



6. Liberally lubricate piston o-rings. Reinstall piston. Shaft is keyed for proper assembly. Push firmly to seat piston.



7. Install cylinder cap (5).

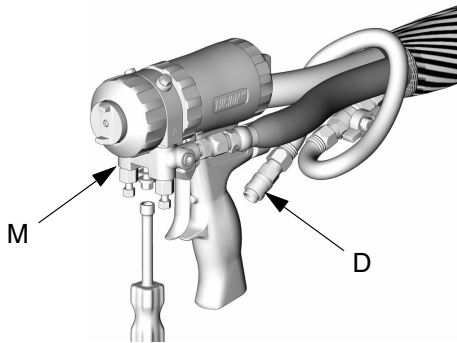


8. Attach **Front End**, page 27.

9. Attach fluid manifold. Connect air. Return gun to service.

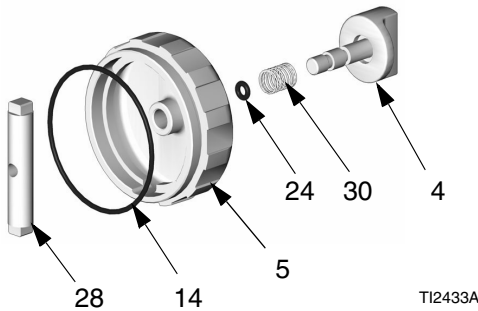
Piston Safety Lock

1. Follow **Pressure Relief Procedure**, page 14.
2. Disconnect air (D) and remove fluid manifold (M).



TI2554A

3. Unscrew cylinder cap (5). Hold piston stop (28) with wrench and unscrew from safety lock (4). Inspect spring (30) and o-rings (14, 24).

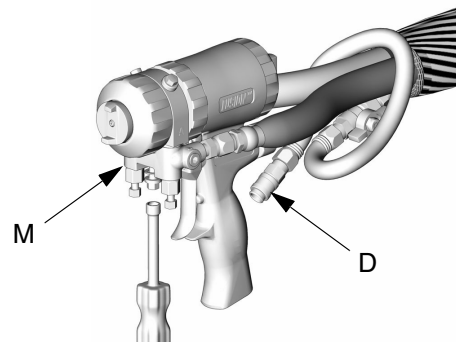


TI2433A

4. Liberally lubricate o-rings and reassemble. Clean threads with solvent or alcohol. Apply medium-strength Loctite® or equivalent to threads on stop (28) and reassemble.
5. Attach fluid manifold. Connect air. Return gun to service.

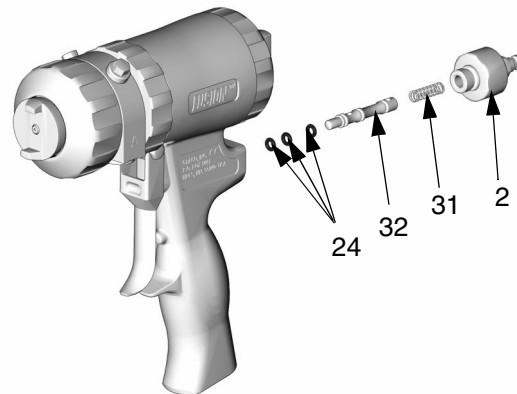
Air Valve

1. Follow **Pressure Relief Procedure**, page 14.
2. Disconnect air (D) and remove fluid manifold (M).



TI2554A

3. Unscrew air valve plug (2) and remove spring (31). Using a small diameter tool, push spool (32) out from front. Inspect o-rings (24).



TI2434A

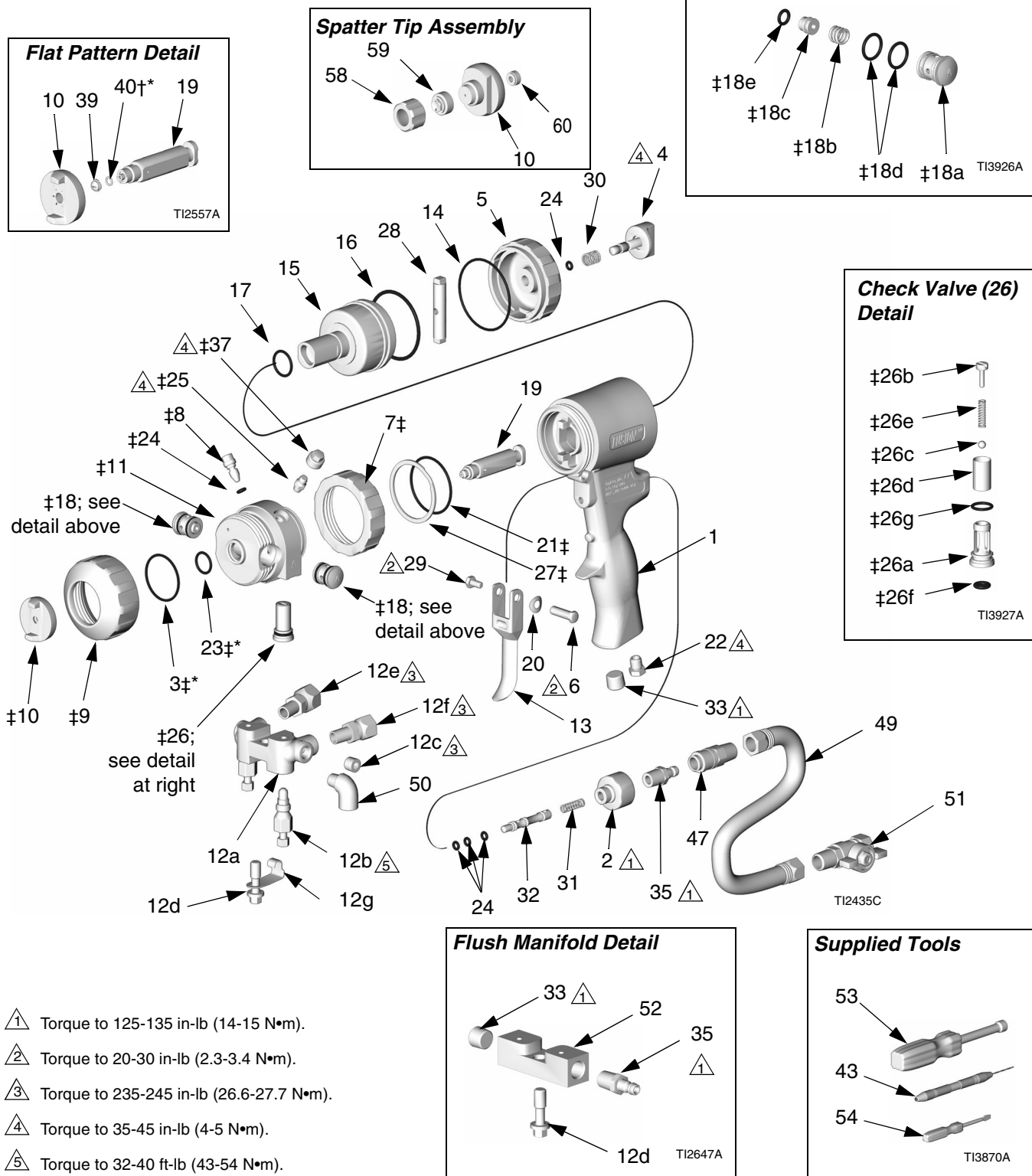
4. Liberally lubricate o-rings and reassemble. Torque plug (2) to 125-135 in-lb (14-15 N•m).
5. Attach fluid manifold. Connect air. Return gun to service.



A series of horizontal lines for writing or repair notes, consisting of 20 evenly spaced lines.

Parts

Round Pattern Gun Shown



Ref. No.	Part No.	Description	Qty	Ref. No.	Part No.	Description	Qty
1	15B201	HANDLE	1	26c†	104396	. BALL; carbide	1
2	15B208	PLUG, air valve	1	26d†		. SCREEN; see page 37	1
3‡	248137	O-RING; PTFE; package of 6	1	26e‡	117490	. SPRING	1
4★	15B206	LOCK, safety	1	26f†*	248133	. O-RING, check valve face; package of 6	1
5★	15B204	CAP, cylinder	1	26g†*	248129	. O-RING, check valve housing; package of 6	1
6	192272	PIN	1	27‡	116550	RING, retaining	1
7‡	15B215	RING, lock	1	28★	15B205	STOP, piston	1
8‡	15B223	VALVE, cleanoff air	1	29	203953	SCREW; 10-24 x 3/8 in. (10 mm)	1
9‡	15B211	RING, retaining	1	30★	114070	SPRING	1
10‡	15B210	AIR CAP; for round pattern guns	1	31	117485	SPRING	1
	15B801	AIR CAP; for flat pattern guns; not included in Front End Replacement Kit 246361	1	32	15B202	SPOOL, valve	1
◆	15D973	AIR CAP, for spatter pattern gun; not included in Front End Replacement Kit 246361.	1	33	100721	PLUG, pipe; 1/4-18 npt; round and flat pattern guns only	2
11‡	246491	HOUSING, fluid	1	35	117509	QUICK-DISCONNECT, male, air; 1/4 npt(m); round and flat pattern guns only	2
12	246012	MANIFOLD, fluid; includes 12a-12g	1	36▲	222385	CARD, warning; not shown	1
12a†		. MANIFOLD	1	37‡	15B689	COVER, grease fitting	1
12b	246356	. VALVE, fluid	2	39	FTxxxx	TIP, flat; see Flat Tip Kits , page 37	1
12c	100139	. PLUG, pipe; 1/8-27 npt	2	40*	246360	O-RING; PTFE; flat tip models only; package of 3; See Flat Pattern Guns , page 36	1
12d	15B221	. BOLT; 5/16-24	2	43	117661	WISE, pin; dual reversible chucks	1
12e	117634	. SWIVEL, B side; 1/8 npt(m) x no. 6 JIC(f)	1	46	117792	GREASE GUN; not shown	1
12f	117635	. SWIVEL, A side; 1/8 npt(m) x no. 5 JIC(f)	1	47	117510	COUPLER, air line	1
12g	15B993	. SPRING, ring, lock	1	49	15B772	HOSE, air; 1/4 npsm (fbe); 18 in. (0.46 m)	1
13	15B209	TRIGGER	1	50	112307	ELBOW, street; 1/8 npt (m x f); round and flat pattern guns only	2
14*★	248136	O-RING, cylinder cap; package of 6	1	51	113379	VALVE, ball; 1/4 npt (m x f); round and flat pattern guns only	1
15	15B203	PISTON	1	52	15B817	MANIFOLD, gun flush; round and flat pattern guns only	1
16*	248135	O-RING, piston; package of 6	1	53	117642	NUT DRIVER, hex; 5/16	1
17*	248134	O-RING, piston shaft; package of 6	1	54	118575	SCREWDRIVER; 1/8 blade	1
18‡	246349	CARTRIDGE, seal, A side; includes 18a-18e	1	55▲	172479	TAG, warning; not shown	1
	246350	CARTRIDGE, seal, B side; includes 18a-18e	1	56▲	15D235	SIGN, instruction; not shown	1
18a†		. CARTRIDGE BODY	1	57	117773	GREASE CARTRIDGE; 3 oz; not shown; MSDS sheet available at www.graco.com	1
18b	117491	. SPRING	1	58◆	15D972	RETAINER, tip; spatter pattern gun only	1
18c†	246348	. SEAL KIT	1	59◆	15D971	TIP; spatter pattern gun only	1
18d*	248130	. O-RING, cartridge body; package of 6	1	60◆	248019	SEAL, package of 5; spatter pattern gun only.	1
18e*	248128	. O-RING, side seal; package of 6	1				
19		CHAMBER, mix, round; see Round Pattern Guns , page 36	1				
		CHAMBER, mix, flat; see Flat Pattern Guns , page 36	1				
20	15C480	WASHER, wave	1				
21‡*	248132	O-RING; package of 6	1				
22	119626	MUFFLER	1				
23‡*	248131	O-RING; package of 6	1				
24‡*★	246354	O-RING; package of 6	1				
25‡	100846	FITTING, grease	1				
26‡	246731	VALVE, check, A side; includes 26a-26g	1				
	246352	VALVE, check, B side; includes 26a-26g	1				
26a††		. HOUSING	1				
26b††	15B214	. SCREW; 5/16-18 x 1/2 in. (13 mm)	1				

* These parts are only available in repair kits. To select a kit, refer to page 37.

† These parts are not available singly.

‡ These parts are included in Front End Replacement Kit 246361.

★ These parts are included in Safety Stop Assembly 248064 (includes 1 of item 24).

▲ Replacement Danger and Warning labels, tags, and cards are available at no cost.

◆ Included in Kit 248414.

Mix Chamber Kits

Round Pattern Guns

Mix Chamber Kit (includes drill bits)	Nozzle Orifice Size	Nozzle Drill Bit Size, in. (mm)	Impingement Port Size	Impingement Port Drill Bit Size, in. (mm)	Counterbore Size	Counterbore Drill Bit Size, in. (mm)
AR2020	0.042	#58 (1.00)	0.020	#76 (0.50)	0.060	#53 (1.50)
AR2929	0.052	#55 (1.30)	0.029	#69 (0.70)	0.060	#53 (1.50)
AR3737	0.052	#55 (1.30)	0.037	#63 (0.94)	N/A	N/A
AR4242/AR0042	0.060	#53 (1.50)	0.042	#58 (1.00)	N/A	N/A
AR5252/AR0052	0.070	#50 (1.75)	0.052	#55 (1.30)	N/A	N/A
AR6060	0.086	#44 (2.15)	0.060	#53 (1.50)	N/A	N/A
AR7070	0.094	3/32 (2.35)	0.070	#50 (1.75)	N/A	N/A
AR8686	0.116	#32 (2.90)	0.086	#44 (2.15)	N/A	N/A

Flat Pattern Guns

Mix Chamber Kit (includes drill bits and o-ring)	Ref. No. 40†, O-ring	Nozzle Orifice Size	Nozzle Drill Bit Size, in. (mm)	Impingement Port Size	Impingement Port Drill Bit Size, in. (mm)	Counterbore Size	Counterbore Drill Bit Size, in. (mm)
AF2020	246360	0.094	3/32 (2.35)	0.020	#76 (0.50)	0.060	#53 (1.50)
AF2929	246360	0.094	3/32 (2.35)	0.029	#69 (0.70)	0.060	#53 (1.50)
AF4242	246360	0.094	3/32 (2.35)	0.042	#58 (1.00)	N/A	N/A
AF5252	246360	0.094	3/32 (2.35)	0.052	#55 (1.30)	N/A	N/A

† Available only in flat mix chamber kits or in 246360 multi-pack kit.

Mix Chamber Part No. Reference Guide

Sample part no. AR4242:

AR	42	42
AR=Air purge round pattern AF=Air purge flat pattern	A orifice size (.042 in.)	B orifice size (.042 in.)

Flat Tip Kits

Ref. No. 39, Flat Spray Tip	Pattern Size, in. (mm)
FT0424	low flow, 8-10 (203-254)
FT0438	medium flow, 8-10 (203-254)
FT0624	low flow, 12-14 (305-356)
FT0638	medium flow, 12-14 (305-356)
FT0838	medium flow, 16-18 (406-457)
FT0848	high flow, 16-18 (406-457)

Flat Tip Part No. Reference Guide

Sample part no. FT0848:

FT	08	48
FT=Flat tip	x2=pattern length (8x2=16 in.)	Equivalent orifice diameter size (.048 in.)

Gun Repair Kits

Read the chart left to right and top to bottom to find the quantity of each part in the kits.

Ref. No.	Bulk O-ring Kits, (qty)	246347 Side Seal Cartridge O-ring Kit	246348 Side Seal Kit	246351 Check Valve O-ring Kit	246355 Complete O-ring Kit
3	248137 (6)				1
14	248136 (6)				1
16	248135 (6)				1
17	248134 (6)				1
18c			2		
18d	248130 (6)	4			4
18e	248128 (6)	2	2		2
21	248132 (6)				1
23	248131 (6)				1
24	246354 (6)				5
26f	248133 (6)			2	2
26g	248129 (6)			2	2
40	246360 (3)				

Check Valve Filter Screen Kits (10 per kit)

80 mesh filter screen is standard with gun.

246357 40 mesh (.015 in., 375 micron)

246359 80 mesh (.007 in., 175 micron)

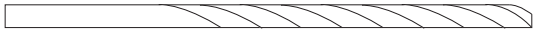




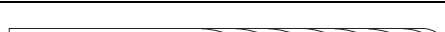
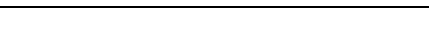
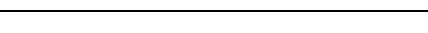
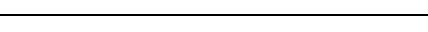
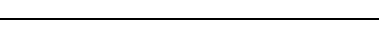
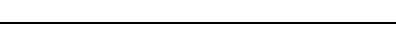


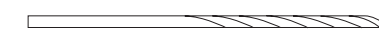



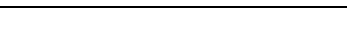
246358 60 mesh (.010 in., 238 micron)













Drill Bit Kits

For cleaning gun ports and orifices. Illustrations are actual size, for comparison.



Not all sizes are used with your gun.

Kit Part No.	Qty in Kit	Drill Bit Size			Illustration
		nominal	in.	mm	
249115	6	1/8	.125	3.18	
246623	3	#32	0.116	2.90	
246810	3	7/64	0.109	2.77	
246813	3	#39	.099	2.51	
246624	3	3/32	.094	2.39	
246812	3	#43	.089	2.26	
246625	3	#44	.086	2.18	
248639	6	2.15 mm	.085	2.15	
249114	6	#45	.082	2.08	
246811	3	2 mm	.079	2.00	
246626	6	#50	.070	1.78	
249113	6	#52	0.64	1.63	
248893	6	1/16	.062	1.59	
246627	6	#53	.060	1.52	
249112	6	1.45 mm	.057	1.45	
246809	6	#54	.055	1.40	
246628	6	#55	.052	1.32	
246814	6	#56	.046	1.18	

Kit Part No.	Qty in Kit	Drill Bit Size			Illustration
		nominal	in.	mm	
246629	6	#58	.042	1.07	
246808	6	#60	.040	1.02	
248618	6	#63	.037	0.94	
248891	6	#66	.033	0.84	
246807	6	#67	.032	0.81	
246630	6	#69	.029	0.74	
248892	6	#70	.028	0.71	
246815	6	#73	.024	0.61	
276984	6	#74	.023	0.57	
246631	6	#76	.020	0.51	
246816	6	#77	.018	0.46	
246817	6	#81	.013	0.33	

Air Purge Handle Cleanout Drill Kit

248969

Kit includes all 5 drill bits of extra long length needed to clean out the air passages in the Air Purge gun handle and fluid housing. See **Clean Passages**, page 20.

Accessories

Special Mix Chamber Kits

Kit includes mix chamber and cleanout drills. For extended wear life with abrasive materials.

Kit Part No.	Description
AR0042	Special mix chamber with equivalent flow AR4242
AR0052	Special mix chamber with equivalent flow AR5252

Wide Pattern Mix Chamber Kits

Kits include mix chamber and cleanout drills. To spray larger diameter patterns than the standard mix chambers.

Kit Part No.	Pattern Diameter at 24 in. (609.6 mm) to target in (mm)	Equivalent flow to mix chamber size	Nozzle Drill Bit Size in (mm) *	Impingement Drill Bit Size in. (mm) *
AW2828	15 (381.0)	Ref. AR2929	1/16, .062 (1.59)	#70, .028 (0.71)
AW3333	15 (381.0)	Ref. AR3737	#53, .060 (1.52)	#66, .033 (0.84)
AW3939	16 (406.4)	Ref. AR4242	#50, .070 (1.78)	#61, .039 (0.99)
AW4646	18 (457.2)	Ref. AR5252	.085 (2.15)	#56, .046 (1.17)
AW5757	18 (457.2)	Ref. AR6060	#42, .089 (2.26)	1.45 mm, .057 (1.45)
AW6464	22 (563.9)	Ref. AR7070	7/64, .109 (2.77)	#52, .064 (1.63)
AW8282	24 (609.6)	Ref. AR8686	1/8, .125 (3.18)	#45, .082 (2.08)

Extension Tip Kits

Kits include extension, flat tip seal and round tip seal, cleanout drill bit, and instructions.

Requires 248020 Extension Tip Air Cap Kit (order separately).

Kit Part No.	Hole Diameter x Length, in. (mm)	Recommended Mix Chambers	Spray Distance, ft (m) *	Pattern Diameter, in. (mm) *
248010	.042 x 0.50 (1.06 x 12.7)	AR2020/AF2929	15 (4.57)	10 (254)
248011	.052 x 0.50 (1.32 x 12.7)	AR2929/AF2929	12 (3.66)	10 (254)
248012	.060 x 0.50 (1.52 x 12.7)	AR4242/AF4242	12 (3.66)	12 (305)
248013	.070 x 0.50 (1.78 x 12.7)	AR5252/AF5252	8 (2.44)	20 (508)
248014	.042 x 1.0 (1.06 x 25.4)	AR2020/AF2929	15 (4.57)	10 (254)
248015	.052 x 1.0 (1.32 x 25.4)	AR2929/AF2929	12 (3.66)	8 (203)
248016	.060 x 1.0 (1.52 x 25.4)	AR4242/AF4242	12 (3.66)	8 (203)
248017	.070 x 1.0 (1.78 x 25.4)	AR5252/AF5252	8 (2.44)	8 (203)

* Measured with less than 8 in. (203 mm) drop in stream center at 1200 psi (8.4 MPa, 84 bar) static pressure.

Extension Tip Seal Kits

Kits include 5 seals.

Kit Part No.	Description
248018	Flat Extension Tip Seal Kit
248019	Round Extension Tip Seal Kit

Extension Tip Air Cap Kit

248020

Includes air cap for use with extension tip kits 248010-248017.

Hose Adapter Kits

246944

To connect non-Graco gun to Graco heated hose.

248029

To connect Graco Fusion Kit gun to non-Graco D-gun hose set.

246945

To connect Graco Fusion gun to non-Graco heated hose.

Spatter Conversion Kit

248414

To convert Fusion air purge gun to spray, round pattern only, large droplet, low overspray applications. Includes air cap, tip, retainer, seal, and cleanout drill bits.

Pour Nozzle Kit

248528

To convert air purge gun for pour applications. Includes nozzle, seals, tubing, and cleanout drill bits.

Gun Cover

244914 Covers

Keeps gun clean while spraying. Pack of 10.

Lubricant for Gun Rebuild

118665 Tube, 4 oz (113 gram)

High adhesion, water resistant, lithium-based lubricant. MSDS sheet available at www.graco.com.

Grease Cartridge for Gun Shutdown

117773 Cartridge, 3 oz

Specially formulated low viscosity grease flows easily through gun passages, to prevent 2 component curing and keep fluid passages clean. See page 13.

Flushing Manifold

15B817 Manifold Block

See ref. no. 52, page 34.

Solvent Flush Canister Kit

248139, 1 qt (0.95 liter) Solvent Cup

Complete with 15B817 Flushing Manifold to flush gun with solvent. Portable for remote flushing. See manual 309963.

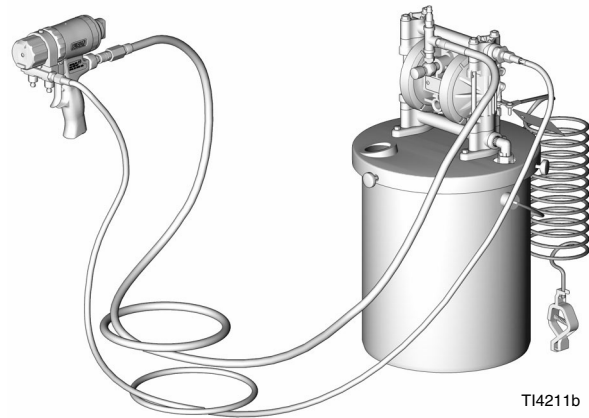


TI4165a

Solvent Flush Pail Kit

248229 5.0 gal. (19 liter) Pail

Includes flush manifold with individual A and B shutoff valves, and air regulator. See manual 309963.

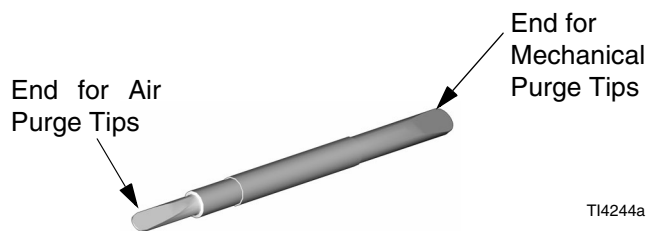


TI4211b

Tip Cleanout Tool

15D234

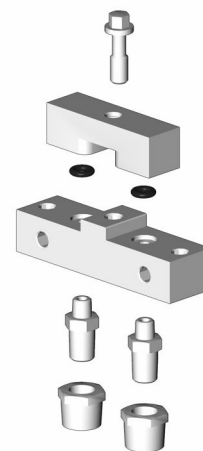
Designed to fit CeramTip internal dome and flat tip slits.



Circulation Manifold

246362

Attach to gun fluid manifold to enable preheating of hose. See manual 309818.



Technical Data

Category	Data
Maximum Fluid Working Pressure	3500 psi (24.5 MPa, 245 bar)
Minimum Air Inlet Pressure	80 psi (0.56 MPa, 5.6 bar)
Maximum Air Inlet Pressure	130 psi (0.9 MPa, 9 bar)
Air Flow Range	See chart below
Typical Flow Rate of Round Pattern Guns	See chart page 3.
Typical Flow Rate of Flat Pattern Guns	See chart page 4.
Maximum Fluid Temperature	200° F (94° C)
Air Inlet Size	1/4 npt Quick Disconnect Nipple
A Component (ISO) Inlet Size	-5 JIC; 1/2-20 UNF
B Component (Resin) Inlet Size	-6 JIC; 9/16-18 UNF
Sound Pressure	81.1 dB(A), using AR5252 at 100 psi (0.7 MPa, 7 bar)
Sound Power, measured per ISO 9416-2	91.0 dB(A), using AR5252 at 100 psi (0.7 MPa, 7 bar)
Dimensions	7.5 x 8.1 x 3.3 in. (191 x 206 x 84 mm)
Weight	2.5 lb (1.1 kg)
Wetted Parts	Aluminum, stainless steel, carbon steel, carbide, chemically resistant o-rings

All other brand names or marks are used for identification purposes and are trademarks of their respective owners.

Air Flow Data in scfm (m³/min)

Air Pressure (detriggered) psi (MPa, bar)	Mix Chamber Sizes							
	AR2020	AR2929	AR3737	AR4242	AR5252	AR6060	AR7070	AR8686
80 (0.56, 5.6)	0.8 (.022)	1.4 (.039)	2.0 (.056)	2.6 (.073)	3.7 (0.104)	4.6 (0.129)	5.7 (0.160)	7.1 (0.200)
100 (0.7, 7)	0.9 (.025)	1.7 (.048)	2.9 (.081)	3.1 (.087)	4.6 (0.129)	5.7 (0.160)	7.1 (0.200)	8.8 (0.246)
130 (0.9, 9)	1.2 (.034)	2.3 (.064)	3.2 (.090)	4.1 (0.115)	5.9 (0.165)	7.3 (0.204)	9.2 (0.258)	11.3 (0.316)



A series of horizontal lines spanning the width of the page, providing a template for technical data or notes.

Graco Standard Warranty

Graco warrants all equipment referenced in this document which is manufactured by Graco and bearing its name to be free from defects in material and workmanship on the date of sale to the original purchaser for use. With the exception of any special, extended, or limited warranty published by Graco, Graco will, for a period of twelve months from the date of sale, repair or replace any part of the equipment determined by Graco to be defective. This warranty applies only when the equipment is installed, operated and maintained in accordance with Graco's written recommendations.

This warranty does not cover, and Graco shall not be liable for general wear and tear, or any malfunction, damage or wear caused by faulty installation, misapplication, abrasion, corrosion, inadequate or improper maintenance, negligence, accident, tampering, or substitution of non-Graco component parts. Nor shall Graco be liable for malfunction, damage or wear caused by the incompatibility of Graco equipment with structures, accessories, equipment or materials not supplied by Graco, or the improper design, manufacture, installation, operation or maintenance of structures, accessories, equipment or materials not supplied by Graco.

This warranty is conditioned upon the prepaid return of the equipment claimed to be defective to an authorized Graco distributor for verification of the claimed defect. If the claimed defect is verified, Graco will repair or replace free of charge any defective parts. The equipment will be returned to the original purchaser transportation prepaid. If inspection of the equipment does not disclose any defect in material or workmanship, repairs will be made at a reasonable charge, which charges may include the costs of parts, labor, and transportation.

THIS WARRANTY IS EXCLUSIVE, AND IS IN LIEU OF ANY OTHER WARRANTIES, EXPRESS OR IMPLIED, INCLUDING BUT NOT LIMITED TO WARRANTY OF MERCHANTABILITY OR WARRANTY OF FITNESS FOR A PARTICULAR PURPOSE.

Graco's sole obligation and buyer's sole remedy for any breach of warranty shall be as set forth above. The buyer agrees that no other remedy (including, but not limited to, incidental or consequential damages for lost profits, lost sales, injury to person or property, or any other incidental or consequential loss) shall be available. Any action for breach of warranty must be brought within two (2) years of the date of sale.

GRACO MAKES NO WARRANTY, AND DISCLAIMS ALL IMPLIED WARRANTIES OF MERCHANTABILITY AND FITNESS FOR A PARTICULAR PURPOSE, IN CONNECTION WITH ACCESSORIES, EQUIPMENT, MATERIALS OR COMPONENTS SOLD BUT NOT MANUFACTURED BY GRACO. These items sold, but not manufactured by Graco (such as electric motors, switches, hose, etc.), are subject to the warranty, if any, of their manufacturer. Graco will provide purchaser with reasonable assistance in making any claim for breach of these warranties.

In no event will Graco be liable for indirect, incidental, special or consequential damages resulting from Graco supplying equipment hereunder, or the furnishing, performance, or use of any products or other goods sold hereto, whether due to a breach of contract, breach of warranty, the negligence of Graco, or otherwise.

FOR GRACO CANADA CUSTOMERS

The Parties acknowledge that they have required that the present document, as well as all documents, notices and legal proceedings entered into, given or instituted pursuant hereto or relating directly or indirectly hereto, be drawn up in English. Les parties reconnaissent avoir convenu que la rédaction du présente document sera en Anglais, ainsi que tous documents, avis et procédures judiciaires exécutés, donnés ou intentés, à la suite de ou en rapport, directement ou indirectement, avec les procédures concernées.

Graco Information

TO PLACE AN ORDER, contact your Graco distributor, or call this number to identify the distributor closest to you:

1-800-328-0211 Toll Free

612-623-6921

612-378-3505 Fax

All written and visual data contained in this document reflects the latest product information available at the time of publication. Graco reserves the right to make changes at any time without notice. (SRC309550)

Sales Office: Minneapolis

International Offices: Belgium, Korea, China, Japan

GRACO INC. P.O. BOX 1441 MINNEAPOLIS, MN 55440-1441

www.graco.com

Printed in USA 309550K (English)

08/2004, Rev. 12/2004