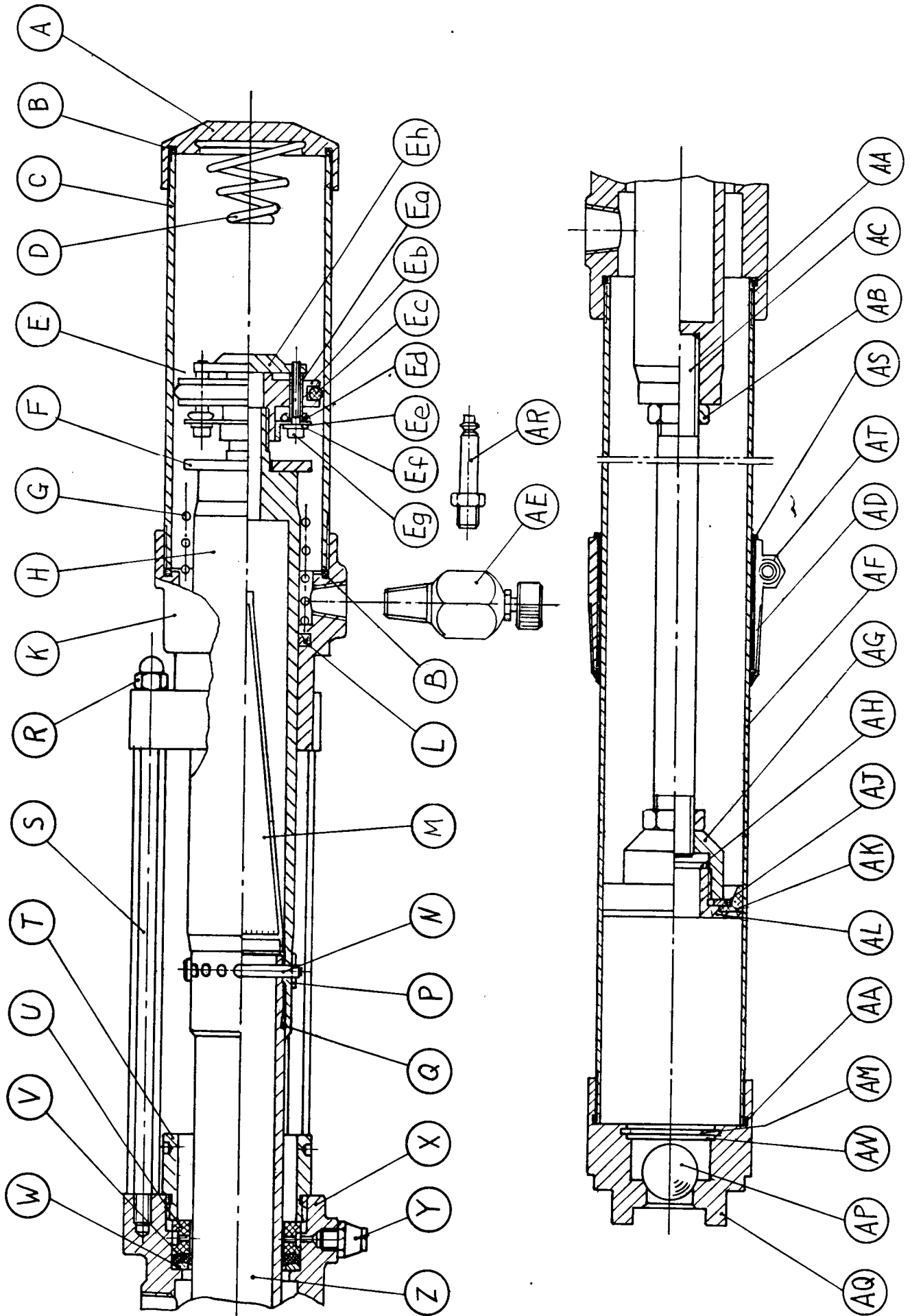


# 4.0 PARTS IDENTIFICATION



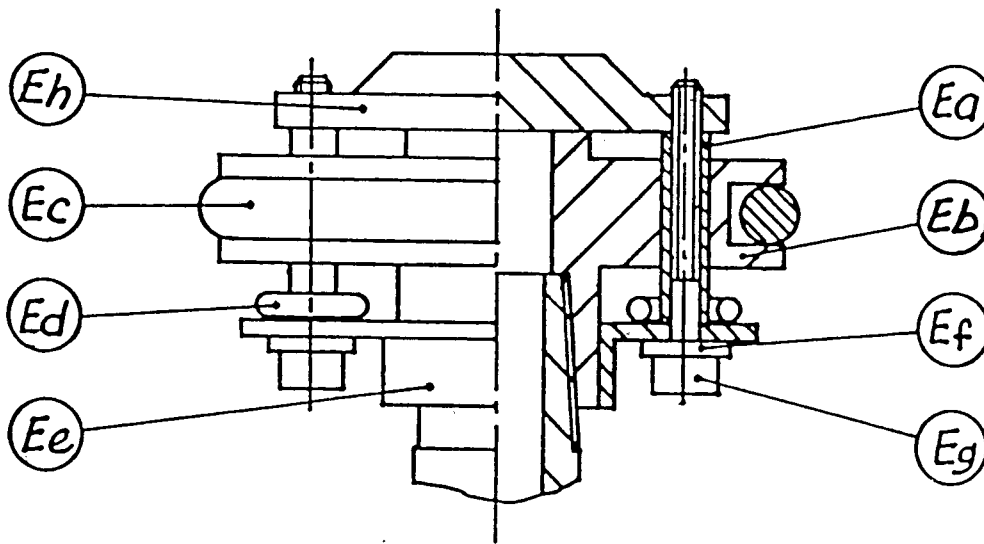
#### 4.1 Part List for IP-01

ITEM NO.	SYMBOL	QTY	PART NO.	DESCRIPTION	REMARKS
1	A	1	01-172-406	CAP, CYLINDER	
2	B	2	01-172-404	GASKET	NEOPRENE
3	C	1	01-172-407	AIR CYLINDER	STAINLESS STEEL
4	D	1	01-178-866	SPRING	
5	E	1	01-220-168	AIR PISTON ASSEMBLY	
6	F	1	01-157-872	WASHER, VALVE	
7	G	1	01-178-780	SPRING	
8	H	1	01-215-947	SHAFT, PISTON	
9	*J	1	01-104-029	GROUNDING LUG	
10	K	1	01-215-946	BASE, AIR MOTOR	
11	L	1	01-172-585	PACKING, V-BLOCK	NITRILE RUBBER
12	M	1	01-178-490	MUFFLER	
13	N	1	01-178-923	PIN	
14	P	1	01-180-166	COTTER PIN Dia. 2x16	
15	Q	1	01-177-156	O-RING	VITON
16	R	3	01-104-541	LOCK NUT, M8	
17	S	3	01-177-171	TIE ROD	
18	T	1	01-177-152	NUT, PACKING	
19	U	1	01-178-543	GLAND, FEMALE	STAINLESS STEEL
20	V	3	01-177-164	V-PACKING	POLYETHYLENE
21	W	1	01-172-385	GLAND, MALE	STAINLESS STEEL
22	X	1	01-178-542	HOUSING, OUTLET	
23	Y	1	01-101-281	FITTING, GREASE	
24	Z	1	01-217-189	ROD, DISPLACEMENT	
25	AA	2	01-104-537	O-RING	TEFLON
26	AB	2	01-105-775	NUT, HEX M14x1.5	
27	AC	1	01-177-150	ROD, CONNECTING	
28	AD	1	01-210-834	ADAPTOR, BUNG	
29	AE	1	01-990-001	AIR NEEDLE VALVE	
30	AF	1	01-172-416	CYLINDER, 55 GALLON	
31	AG	1	01-177-168	HOUSING, VALVE, PISTON	
32	AH	1	01-177-155	VALVE, PISTON	
33	AJ	1	01-172-393	WASHER	STAINLESS STEEL
34	AK	1	01-177-159	CUP, PISTON	POLYETHYLENE
35	AL	1	01-177-151	PISTON, PUMP	
36	AM	1	01-990-002	CIRCLIP 30#	
37	AN	1	01-990-003	E-CLIP 15#	
38	AP	1	01-990-004	3/4" DIA SS BALL	
39	AQ	1	01-990-006	FOOT VALVE	
40	AR	1	01-990-005	MALE COUPLING	
41	AS	1	01-172-405	BUSHING	NYLON
42	AT	1	01-104-542	SCREW, HEX HD, M8	

\*NOT SHOWN IN ASSEMBLY DRAWING

## Part List for IP-01

ITEM NO.	SYMBOL	QTY	PART NO.	DESCRIPTION	REMARKS
43	Ea	3	01-181-485	SPACER, VALVE PLATE	
44	Eb	1	01-189-210	PISTON, AIR	ALUMINIUM
45	EC	1	01-108-357	O-RING	VITON
46	Ed	3	01-108-358	O-RING	VITON
47	Ee	1	01-181-487	PLATE, AIR INTAKE VALVE	
48	EF	3	01-220-884	GASKET	COPPER
49	Eg	3	01-220-887	SHCS, 6-32x1"	
50	Eh	1	01-162-729	PLATE, AIR EXHAUST VALVE	
51	—	1	01-214-583	BUNG ADAPTER ASSY	INCLUDES ITEM NO. 28, 41, 42



**Air Piston Assembly E**

## 4.2 Repair Kits

(1) Air Motor Repair Kit Part No. 01-214-584 consists of:-

<u>Item No.</u>	<u>Part No.</u>	<u>Description</u>	<u>Quantity</u>
2	01-172-404	Gasket	2
11	01-172-585	Packing, V-Block	1

(2) Fluid Section Repair Kit Part No. 01-215-964 consists of:-

<u>Item No.</u>	<u>Part No.</u>	<u>Description</u>	<u>Quantity</u>
19	01-178-543	Gland, Female	1
20	01-177-164	V-Block	3
21	01-172-385	Gland, Male	1
34	01-177-159	Cup, Piston	1